

Trakmaster Twin Fan Controller

- Range of intelligent Vent-Axia twin fan controllers
- For use with AC motors only
- Designed to offer total flexibility
- Controlled interface with BMS (Building Management Systems) saving installation costs
- Providing energy management/night setback facility

ITC-DS - (Trakmaster twin fan control - Duty sharing)*

Incorporates a timing mechanism which operates alternate fans on 12 or 24 hour intervals, thus ensuring the extended life of the fan bearings. The controller also provides automatic changeover on fan failure along with the facility for manual selection of either fan. (BMS compatible via volt free contacts). This controller must have a permanent live supply. Any On/Off switching must be via the sensor connections S1 and SG terminals.

Stock Ref

10314210

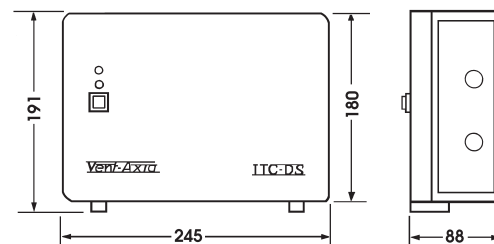


Electrical ITC-D S

Maximum load: 9 amps on single or three phase. Not for use with EC motors.

Dimensions

ITC-DS - 103 14 210



RVC - (Remote visual indicator)

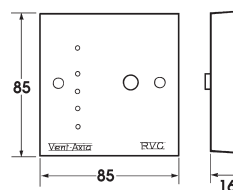
Wired in conjunction with either an ITC or ITC-DS controller the RVC can be located up to 100m away using low cost ELV wiring. The compact, single gang RVC ELV (Extra Low Voltage) remote visual controller indicates status of Fan 1 and Fan 2 with status/warning lights. Push button allows Fan 1 and Fan 2 with standby (Off) to be selected.

Stock Ref

10314220



RVC - 10314220



Note: Suitable for mounting with single gang electrical box.

*For alternative eDemand twin fan controls see Accessories & Controllers Section

Sensors for use with ITC-DS controls

ThermoSwitch

Operates on either a fall or rise in temperature for extraction of excess heat. Range 6°C to 30°C.

Stock Ref.
563502



HumidiSwitch

Actuates mechanical humidistat ventilating units on either a rise or fall in humidity. Concealed adjustment. Range 20% to 80% RH.

Stock Ref.
563501



7-Day TimeSwitch

7-Day timer with analogue display. Override facility. Gives twelve On or Off positions per day.

Stock Ref.
563515



Air Quality Sensor

Automatically reacts to tobacco smoke, smells and toilet odours to trigger the system or switch speed.

Stock Ref.
563506



Ecotronic Humidistat

An electronic On/Off humidistat with concealed humidity adjustment 65-90% RH with removable pullcord override. Changeover relay switch.

Stock Ref.
563550



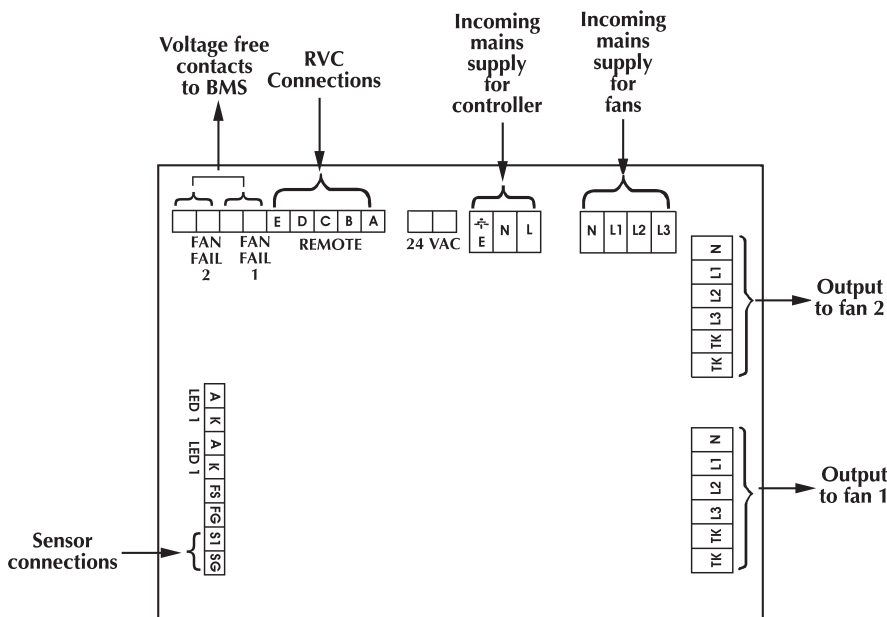
Visionex PIR Detector

Ceiling mounted movement detector. Adjustable overrun timer 5 to 25 minutes. Fits any UK single gang mounting box. Range of detection up to 10 metres. 220-240V.

Stock Ref.
459623



Connection Layout of ITC-DS Controller



For full wiring information, refer to ITC Fitting & Wiring instructions.

PLEASE NOTE: The ITC Controllers may be used in conjunction with a 5-Step Auto Transformer speed controller for commissioning purposes to meet the required design criteria.