

Heat Recovery Ventilation

Home Owners Ventilation System Guide

What is it and why is it there?

A centralised fan unit mounted in your loft space or cupboard that draws stale moist air and odours from your bathroom, kitchen or WC and removes it from the property through the circular grilles mounted in your ceiling.

What does it do?

It continuously moves air around your property at such a low level that you never feel it, but it takes all the stale air from inside your house and replaces it with clean fresh air, 24 hours a day, 7 days a week.

Your home is ventilated without the need to open windows which can let in noise, fumes and can compromise security.

How will it help?

It will prevent the build up of moisture in the house, remove steam/ condensation and odours during bathing and cooking and prevent black mould forming on the walls, behind cupboards etc. It will also help stop the dampness that you can get in your cupboards and wardrobes, on your clothes and furnishings, caused by poor ventilation.

How do I control it?

The Sentinel Kinetic operates continuously on 'Normal' setting to ensure your home is ventilated at the appropriate level.

The system will automatically boost to a higher extract rate when one of the control devices is activated. A manual 'Boost' switch is also provided if a higher level of ventilation is required at any other time, e.g. on a hot day or to remove odours.

Running cost

Your Sentinel Kinetic uses the latest low energy consumption technology and can save as much as £200 per year in heat energy costs. The heat exchanger recovers more energy than the unit consumes so the Kinetic will actually save you money.

Maintenance

Filters should be cleaned (as shown on the right) when indicated by the unit control panel at varying intervals depending on the external environment. Filters should be replaced every two years, or after three cleaning cycles. Contact Vent-Axia Sales by calling 0844 856 0590 quoting the model reference. The product should be professionally serviced every two years.

DO NOT switch off the unit

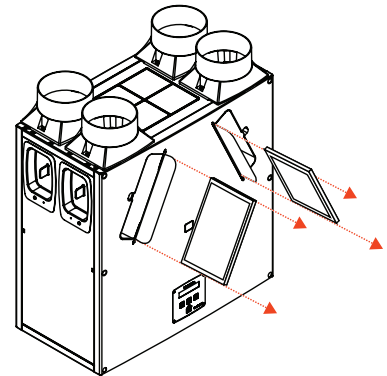
The unit is set to run continuously 24 hours a day, 7 days a week.

DO NOT adjust the ceiling grilles

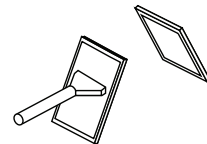
These grilles are set to allow a certain amount of air through and may affect performance if adjusted.



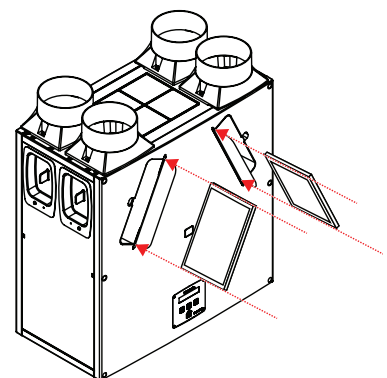
1. Open front flaps and remove the filters.



2. Gently vacuum the filters



3. Replace in reverse order



4. Filters should be replaced every two years, or after three cleaning cycles. Contact Vent-Axia Sales by calling 0844 856 0590 quoting the model reference.