

# Lo-Carbon LED Vent-A-Light

- Suitable for shower enclosure and wet areas
- 3W LED Lamp
- Provides simultaneous fan and light operation
- Meets current Building Regulations Approved Documents F & L
- 1 of 2 speeds selectable at installation
- Double insulated fan
- Light assembly Class III
- 5 Year Motor Guarantee
- Supplied with white and chrome bezels



100mm Lo-Carbon axial in-line shower fan and light kit. Provides simultaneous fan and light operation. Suitable for shower enclosures and wet areas. Available with both a white and chrome bezel on light assembly. The light assembly can be held in place using fixing clips or screws.

## Typical Specification

CE marked in accordance with all the relevant EEC Harmonised Directives.

Fan double insulated and the motor is fitted with Thermal Protection. Light assembly class III.

## Electrical

12 volt DC 3W GU5.3 sealed lamp. Powered by an LED Driver.

LED lamp lumens output 180lm - 200lm

Input, AC. Output - 12 volt DC. 1A.

## Models

### Lo-Carbon Vent-A-Light Fan and LED Light Kit (Basic)

100mm axial in-line shower fan and light kit. Includes fan, 3m flexible ducting, white grille, LED lamp light transformer and light assembly with white and chrome bezels.

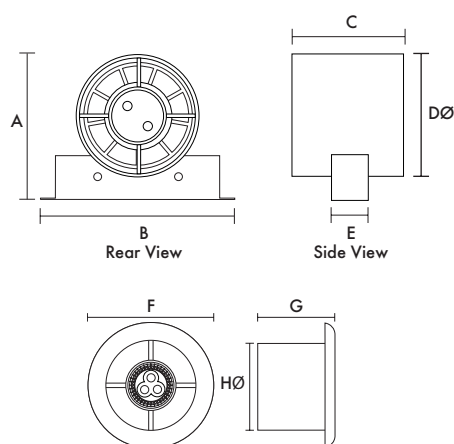
**Model** Stock Ref  
Basic 441423

### Lo-Carbon Vent-A-Light Fan and LED Light Kit (Timer)

100mm axial in-line shower fan and light kit. Fan has electronic overrun timer adjustable from 5 to 30 minutes. The factory setting is 15 minutes. Includes fan, 3m flexible ducting, white grille, LED lamp light transformer and light assembly with white and chrome bezels.

**Model** Stock Ref  
Timer 441424

## Dimensions (mm)



A	B	C	DØ	E	FØ	G	HØ
130	155	90	98	27	140	74	98

Internal/External Grille Dimensions 140x140mm

Fan Transformer (W x H x D) 87 x 87 x 33

## Performance Guide

Model	Extract performance - FID		Fan Watts	Light Watts	Sound dB(A) @ 3m	SFP (W/l/s) @ 0Pa
	m <sup>3</sup> /h	l/s				
Lo-Carbon Vent-A-Light B/T	110	31	6.5	3	23	0.21

Tested at 240V 50Hz