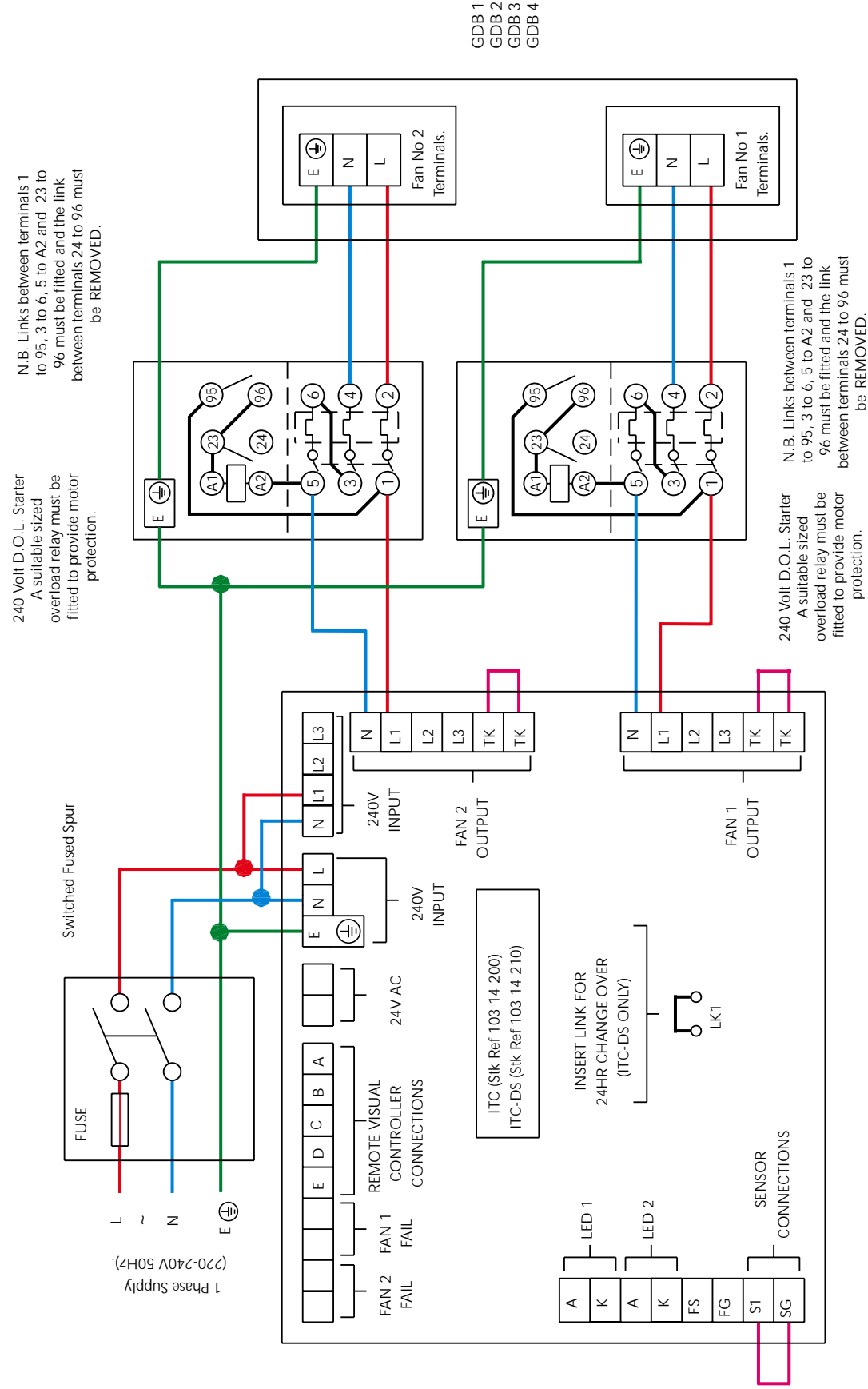


VENT-AXIA GALAXY™ IN-LINE BELT DRIVEN TWIN FANS WIRING DIAGRAMS

SINGLE PHASE BELT DRIVEN FAN (UP TO 1.1kW 1 PHASE) CONNECTED TO AN ITC CONTROLLER



THREE PHASE BELT DRIVEN FAN (UP TO 2.2kW 3 PHASE) CONNECTED TO AN ITC CONTROLLER

