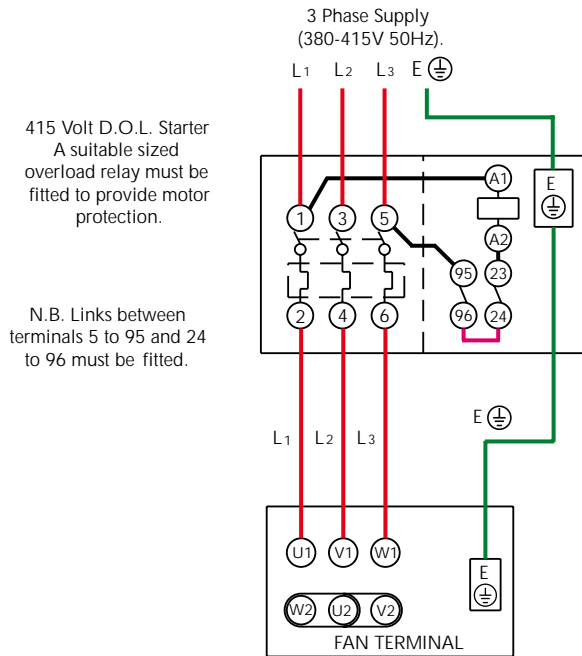


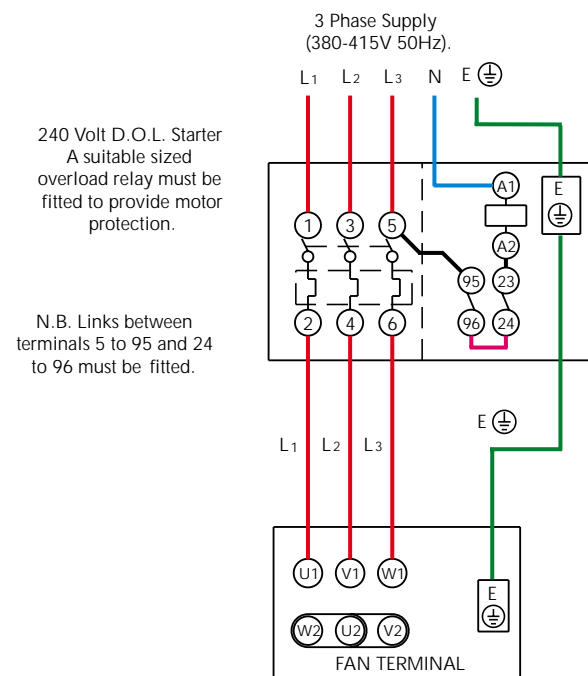
VENT-AXIA BIFURCATED CASE AXIAL FAN WIRING DIAGRAMS

THREE PHASE FAN CONNECTED TO A 415V COIL D.O.L. STARTER



- BIF 250/2/3/8-32*
- BIF 315/2/3/8-32*
- BIF 400/2/3/8-28*
- BIF 250/4/3/8-32*
- BIF 315/4/3/8-32*
- BIF 400/4/3/8-32*
- BIF 500/4/3/8-30*
- BIF 630/4/3/8-26*

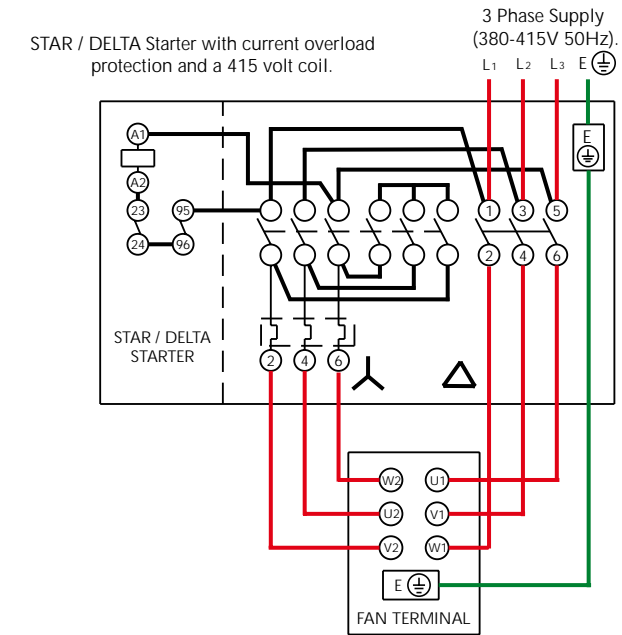
THREE PHASE FAN CONNECTED TO A 240V COIL D.O.L. STARTER



- BIF 250/2/3/8-32*
- BIF 315/2/3/8-32*
- BIF 400/2/3/8-28*
- BIF 250/4/3/8-32*
- BIF 315/4/3/8-32*
- BIF 400/4/3/8-32*
- BIF 500/4/3/8-30*
- BIF 630/4/3/8-26*

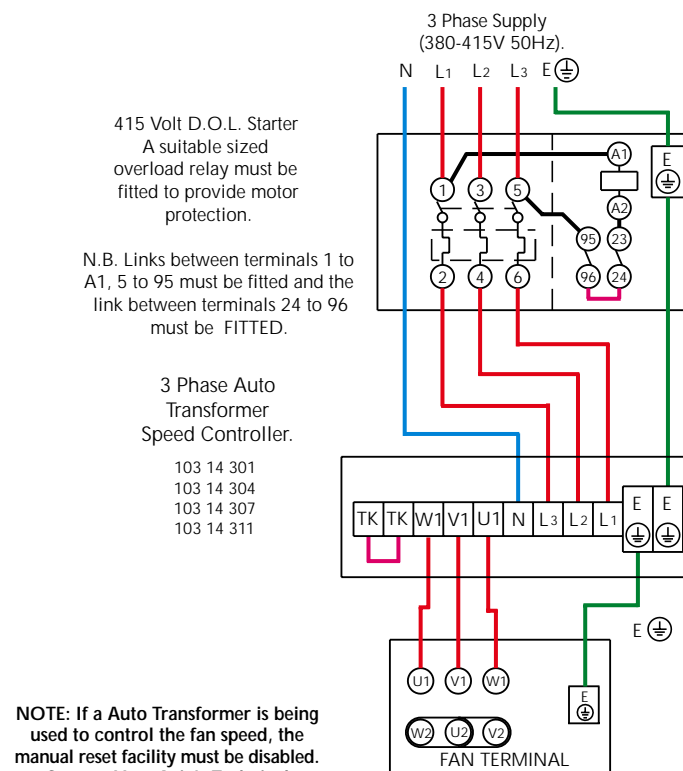
BIFURCATED CASE AXIAL FAN WIRING DIAGRAMS

THREE PHASE FAN CONNECTED TO A STAR / DELTA STARTER



- BIF500/2/3/18-26*
- BIF 800/4/3/8-18*

THREE PHASE FAN CONNECTED TO A 415V COIL D.O.L. STARTER & A 1.4, 4.0, 7.0 OR 11.0 AMP AUTO TRANSFORMER CONTROLLER

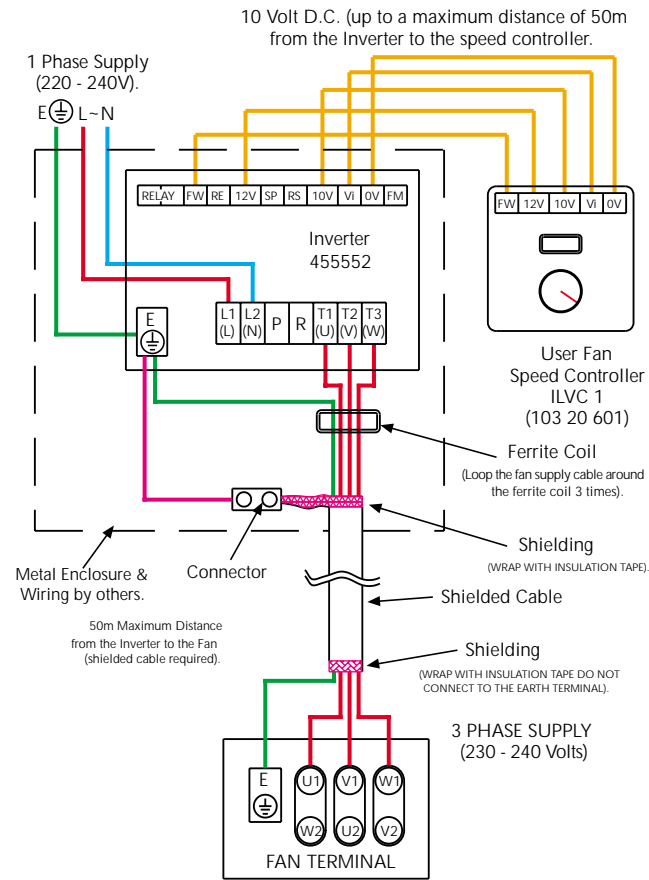


NOTE: If a Auto Transformer is being used to control the fan speed, the manual reset facility must be disabled. Contact Vent-Axia's Technical Support line for details.

- BIF 250/4/3/8-32*
- BIF 315/4/3/8-32*
- BIF 400/4/3/8-32*
- BIF 500/4/3/8-30*
- BIF 630/4/3/8-28*

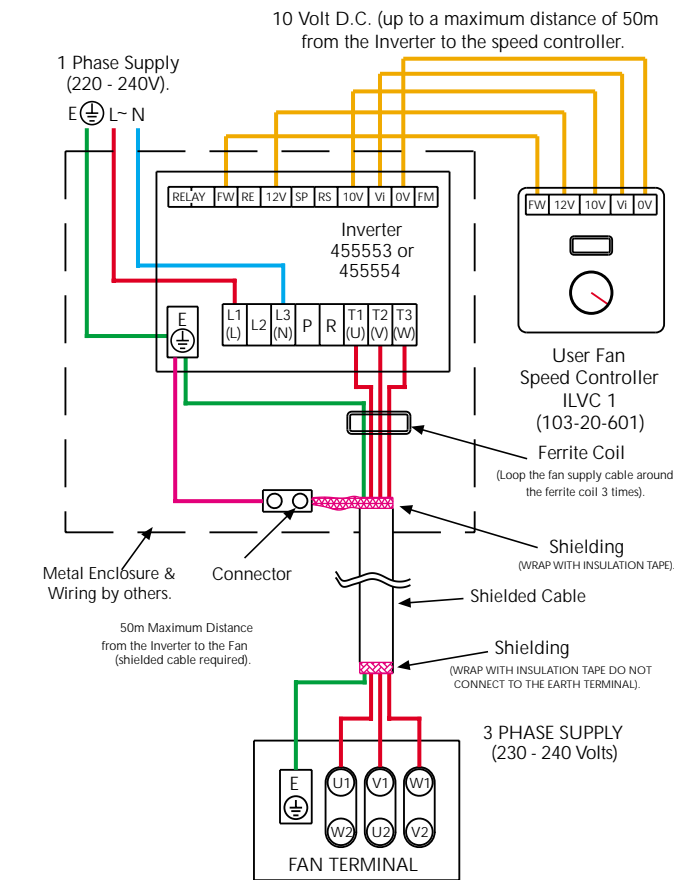
VENT-AXIA BIFURCATED CASE AXIAL FAN WIRING DIAGRAMS

**THREE PHASE FAN
SINGLE PHASE IN - THREE PHASE (240V) OUT
LC FAN CONNECTED TO AN INVERTER SPEED CONTROLLER
KIT (103 20 101)**



- BIF 250/2/3/8-32'
- BIF 315/2/3/8-30'
- BIF 250/4/3/8-32'
- BIF 315/4/3/8-32'
- BIF 400/4/3/8-32'

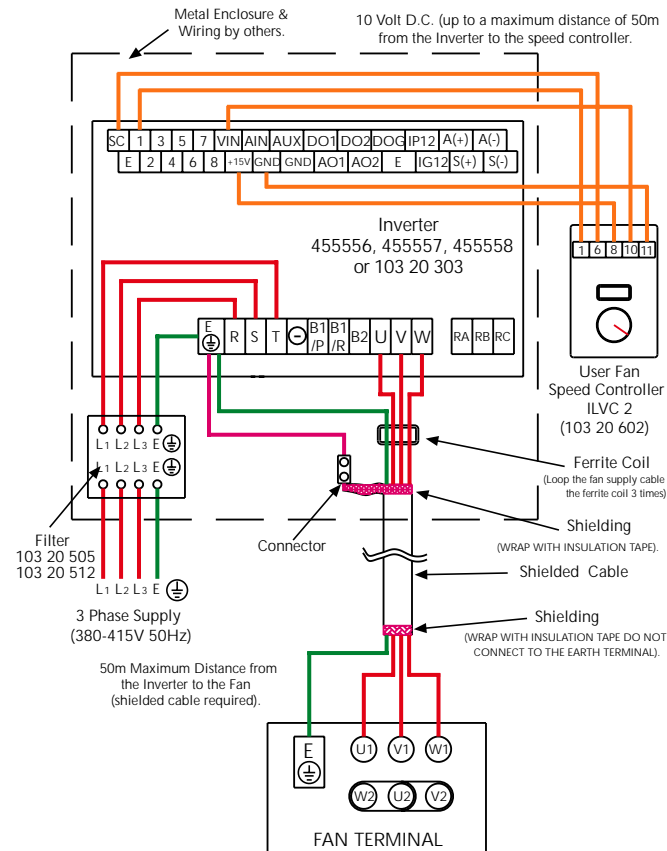
**THREE PHASE FAN
SINGLE PHASE IN - THREE PHASE (240V) OUT
LC FAN CONNECTED TO AN INVERTER SPEED CONTROLLER
KIT (103 20 102 OR 103 20 103)**



- BIF 400/2/3/8-22'
- BIF 500/2/3/8-20'
- BIF 500/4/3/8-32'
- BIF 630/4/3/8-26'

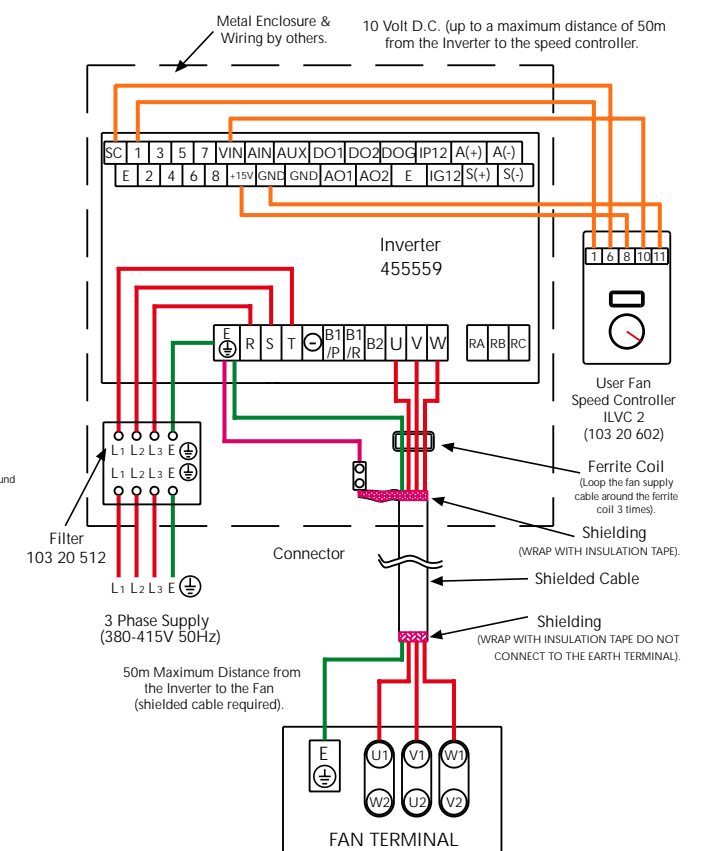
BIFURCATED CASE AXIAL FAN WIRING DIAGRAMS

**THREE PHASE FAN
THREE PHASE IN - THREE PHASE OUT
BIFURCATED AXIAL FAN CONNECTED TO AN INVERTER
SPEED CONTROLLER KIT
(103 20 301, 103 20 302, 103 20 303 OR 103 20 305)**



- BIF 250/2/3/8-32'
- BIF 315/2/3/8-30'
- BIF 400/2/3/8-22'
- BIF 500/2/3/8-20'
- BIF 250/4/3/8-32'
- BIF 315/4/3/8-32'
- BIF 400/4/3/8-32'
- BIF 500/4/3/8-32'
- BIF 630/4/3/8-26'

**THREE PHASE FAN
THREE PHASE IN - THREE PHASE OUT
BIFURCATED AXIAL FAN CONNECTED TO AN
INVERTER SPEED CONTROLLER KIT
(103 20 350)**



- BIF 800/4/3/8-18'