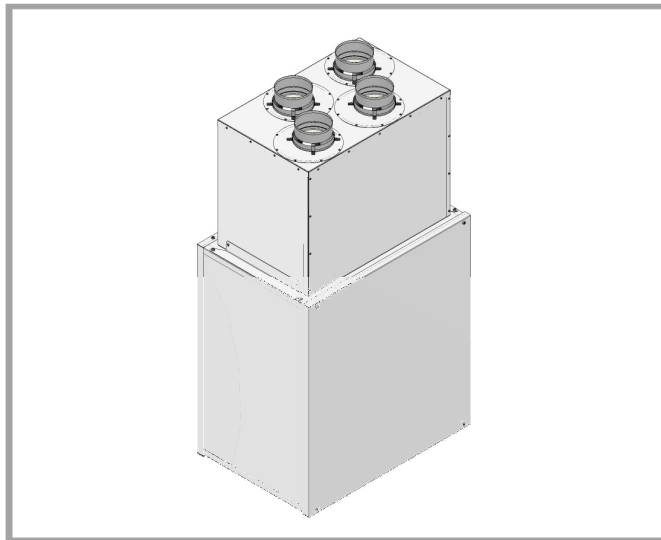


Acoustic Top Box & Enclosure

For Sentinel Kinetic
Advance S & SX

Fitting Instructions



Stock Ref. No:

TOP BOX

478075 - Advance S & SX

ENCLOSURE

478080 - Advance S

478081 - Advance SX

Vent-Axia[®]

READ IN CONJUNCTION WITH ILLUSTRATIONS
PLEASE SAVE THESE INSTRUCTIONS

These instructions should be read in conjunction with the Sentinel Kinetic Advance MVHR Installation and Commissioning Manual (Vent-Axia part no. 474957).



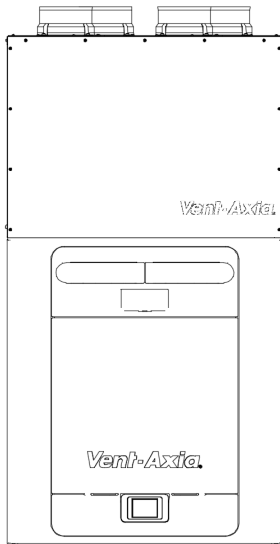
Important: Check spigot configuration for LEFT or RIGHT HAND setup
“These units are heavy and should only mounted on walls capable of bearing their weight i.e. a solid masonry wall or a stud wall that has been specially constructed with extra studs and boards.”

Note: The use of sound attenuators on the ducting is recommended.

Acoustic Solution Options

Option A

Top Box only + MVHR unit
Pages 3 - 8



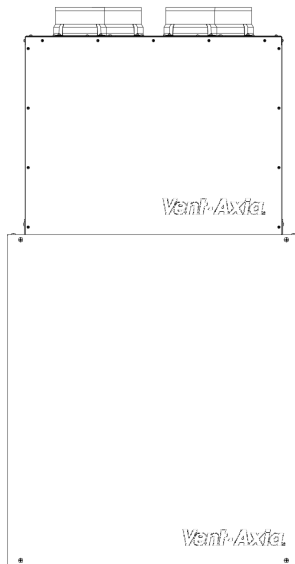
Option B

Enclosure only + MVHR unit
Pages 9 - 15



Option C

Top Box & Enclosure + MVHR unit
Pages 16 – 17



Acoustic Bracket Kits

Top Box – **Option A**
Acoustic Bracket Kit 1 – 478818

Top Box & Enclosure – **Option C**
Acoustic Bracket Kit 2 – 478819

Wired Remote Docking Kit

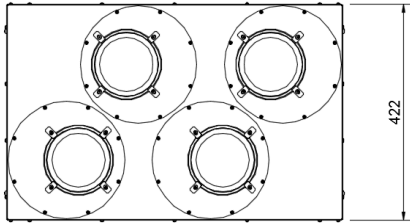
Docking Kit will be required with
“**Option B & Option C**” setups.
Docking Kit – 474491

Option A

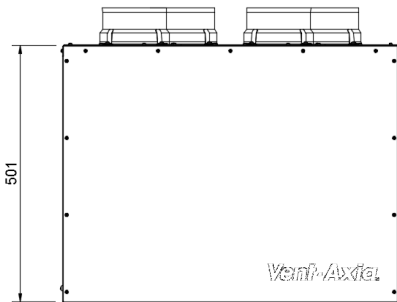
Acoustic Top Box + MVHR unit

SIZE & WEIGHT

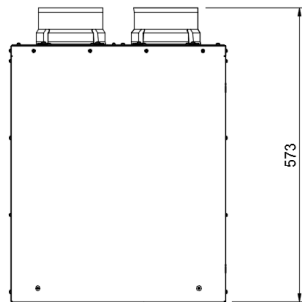
TOP



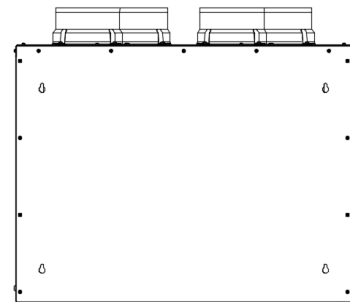
FRONT



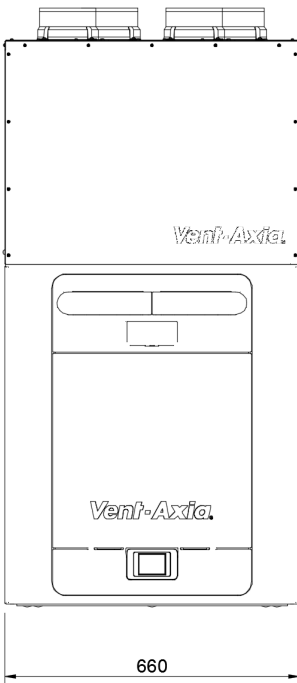
SIDE



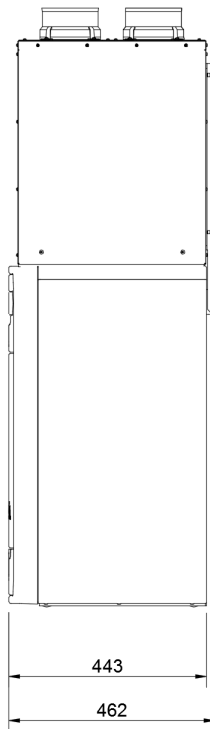
BACK



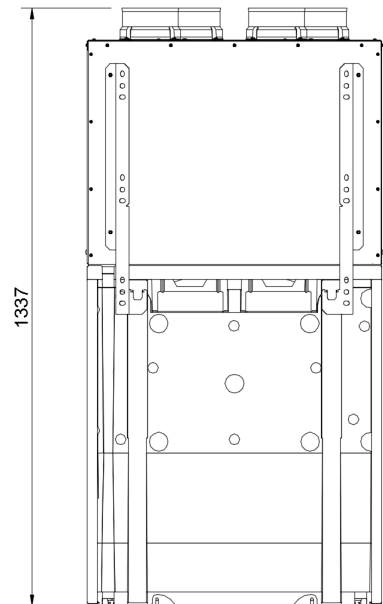
FRONT



SIDE



BACK



WEIGHT

Top Box without unit 14kg

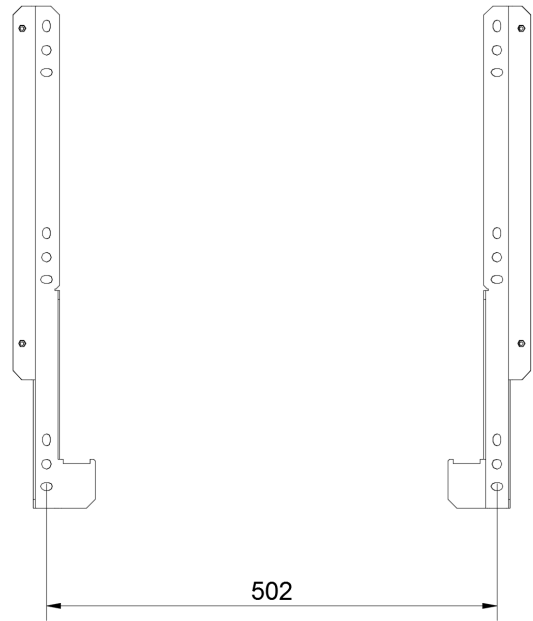
Top Box with unit 41kg

Advance Unit 27kg



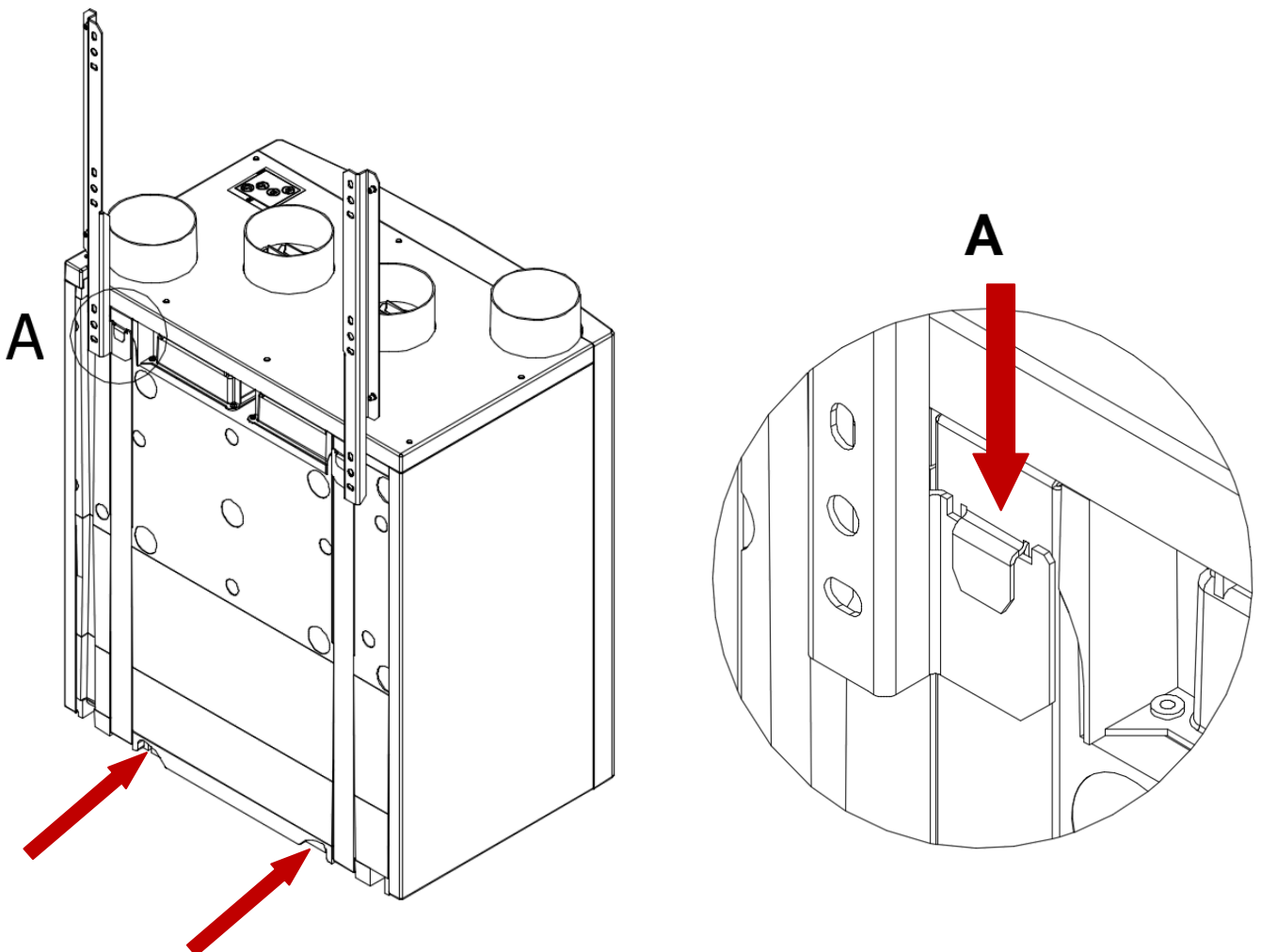
FIX MOUNTING BRACKETS

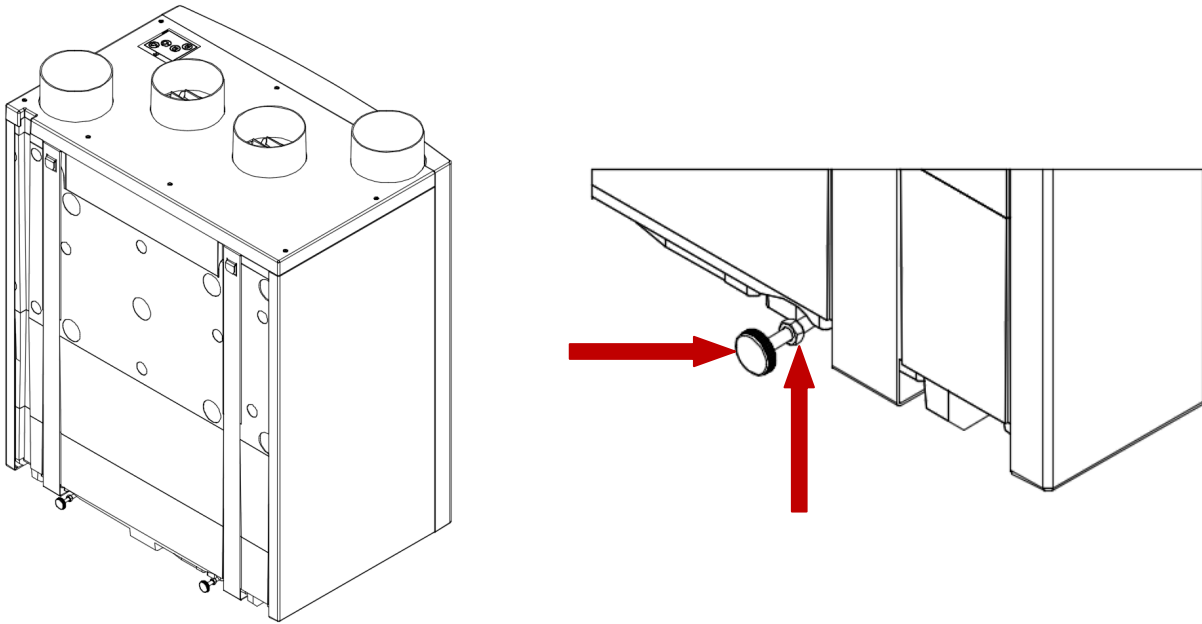
Use Acoustic Bracket Kit 1 (478818) to mount Unit & Top Box.
Bracket to be mounted to 502mm centres.



MOUNTING UNIT TO BRACKETS

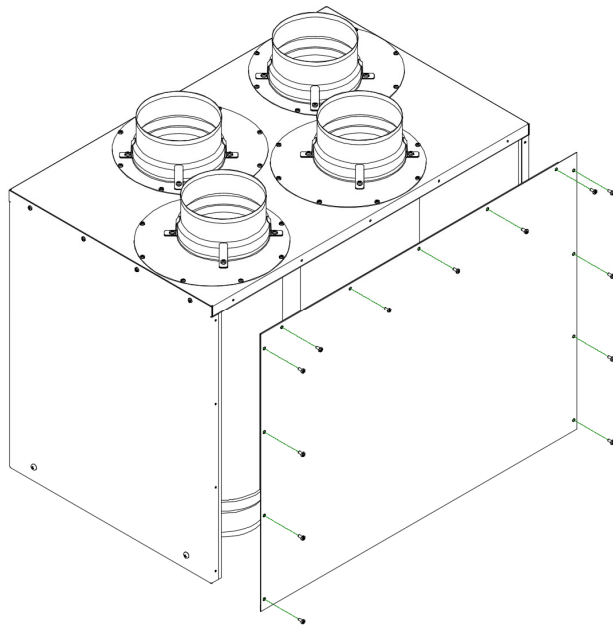
Once brackets are mounted, unit can be attached to hanging brackets (see view A) with the clips on the rear of the unit. Then use the adjusting feet on the rear of the unit at the bottom, to level the unit. Once level use the locking nut to secure it in position.



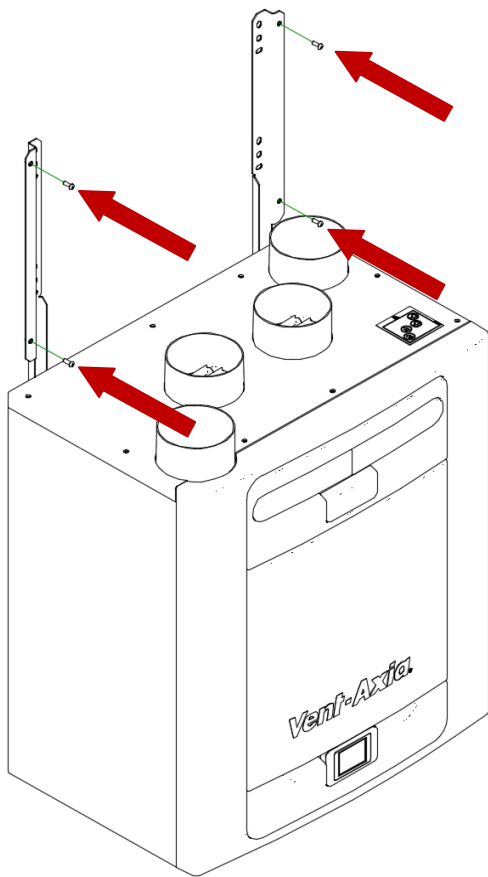


MOUNTING TOP BOX TO BRACKETS

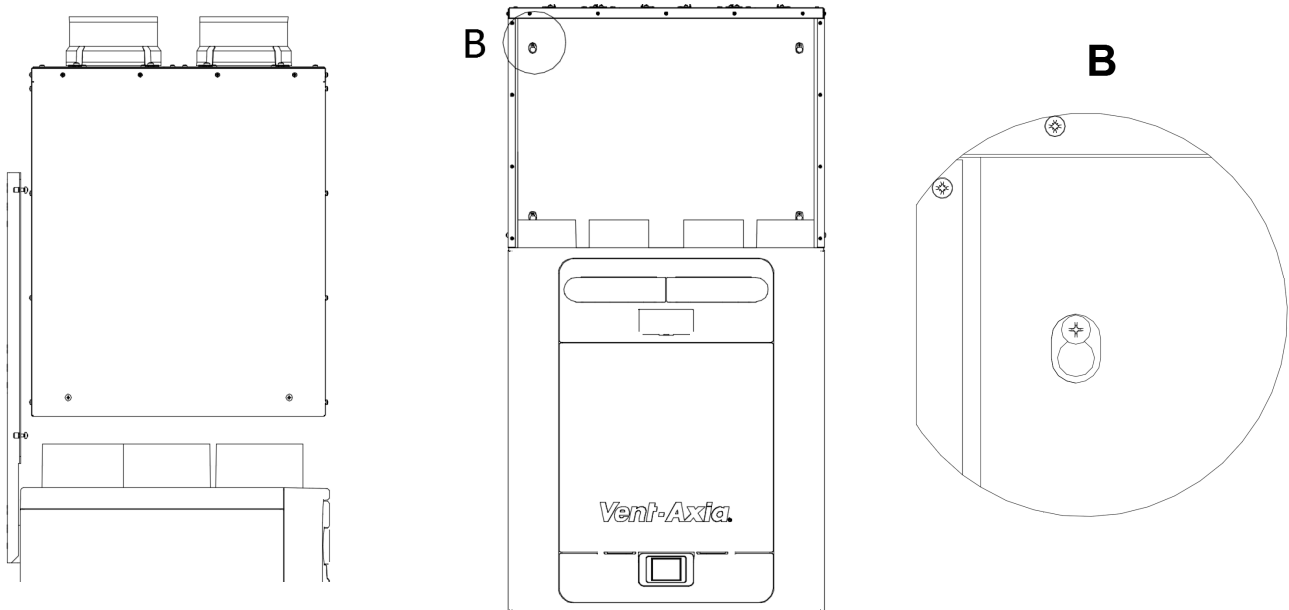
1. Before mounting the Top Box, the front cover will need removed before install.



2. Use 4-off M5x16 screws supplied in Bracket kit 1, fix the screw in half way on the mount brackets.

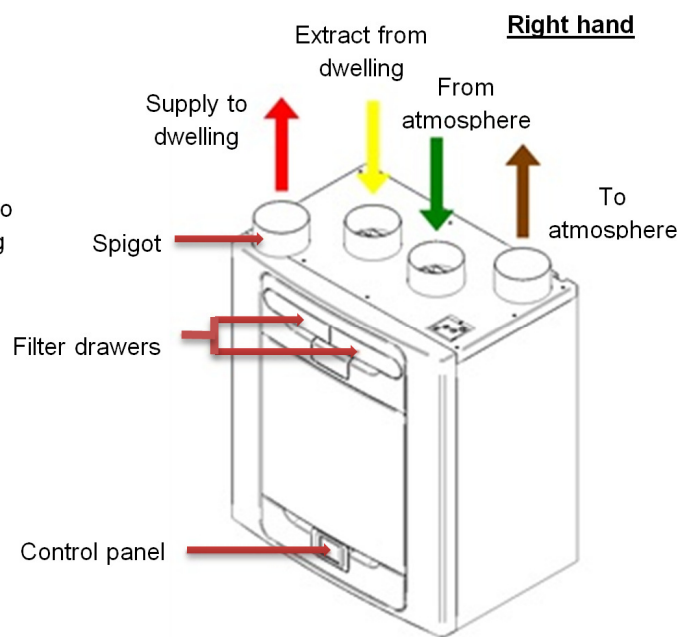
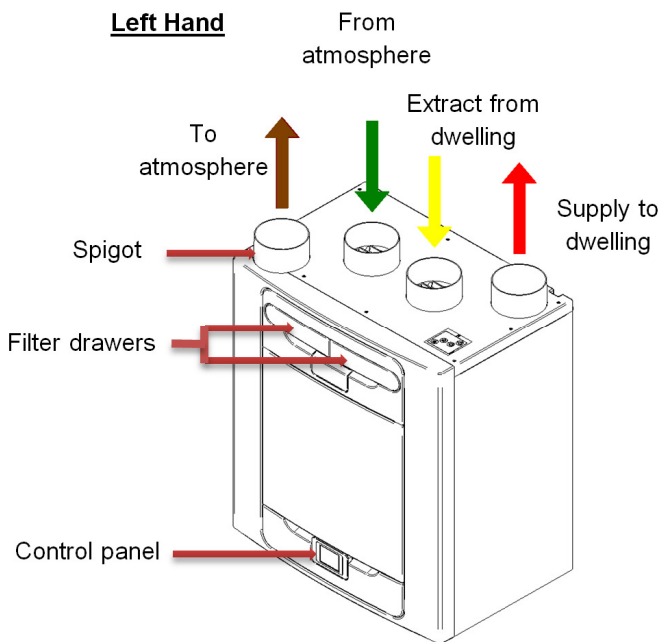
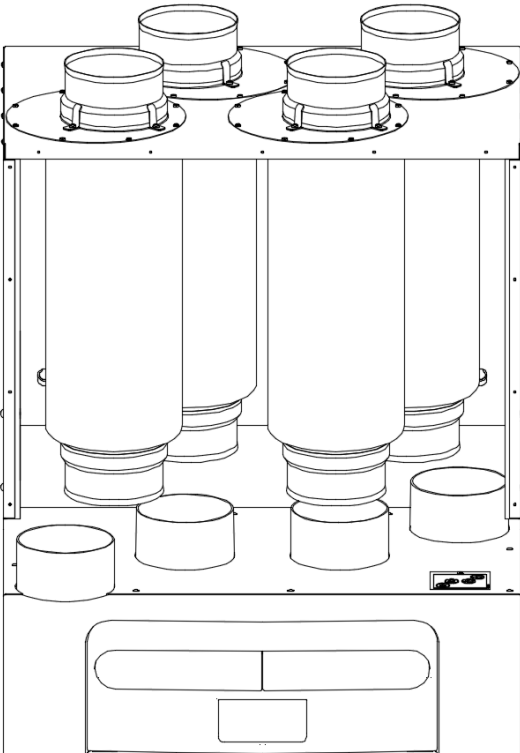


3. Then lift Top Box over the spigots and then line up the 4 screws with the key-hole slots on the rear of the Top Box (see view B). Once all fitted, tighten all screws.



SPIGOT ATTACHMENT ON TOP BOX

Connect all spigots to the unit, then use duct tape to seal & secure them in place. Two foam pieces supplied with Top Box are to be used on “To Atmosphere” & “From Atmosphere” spigots, wrap each foam piece around base of spigots (see view C).



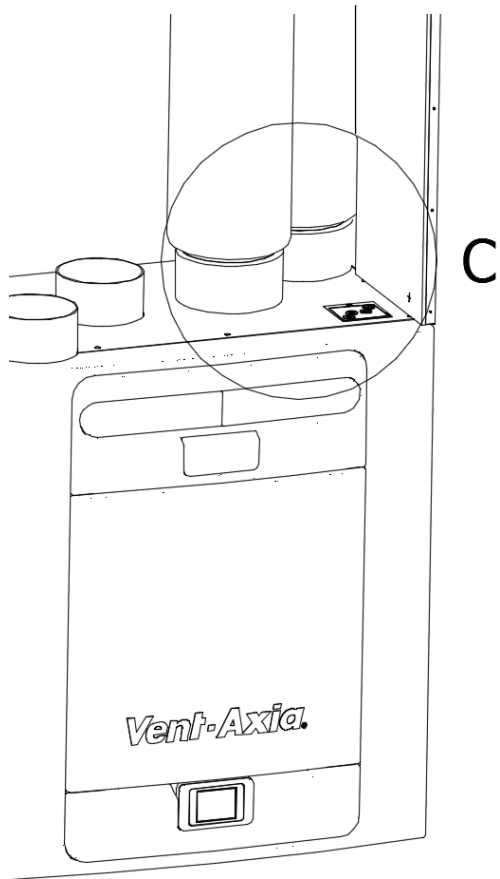
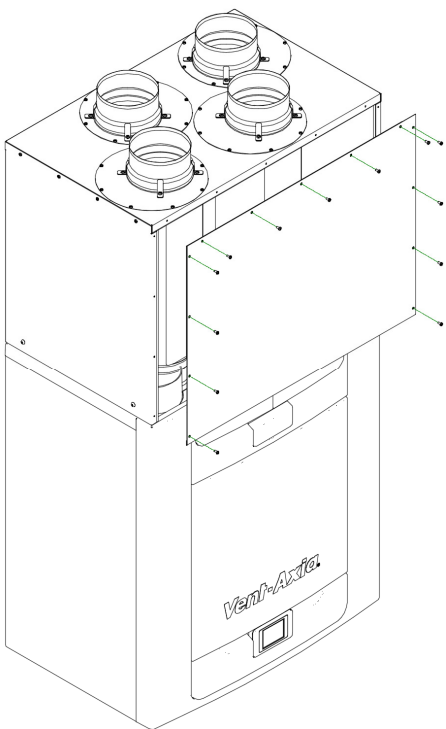


Image shows a Right Hand setup with foam insulation fitted on "To Atmosphere" & "From Atmosphere" spigots.

FITTING FRONT COVER TOP BOX



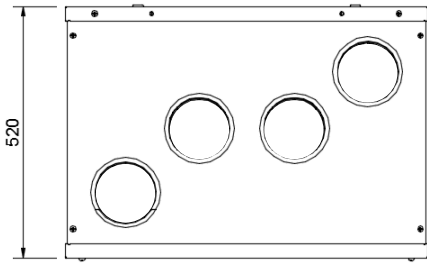
Once unit is installed and commissioned, as per Installation & Commissioning instructions, then secure front panel back onto Enclosure.

Option B

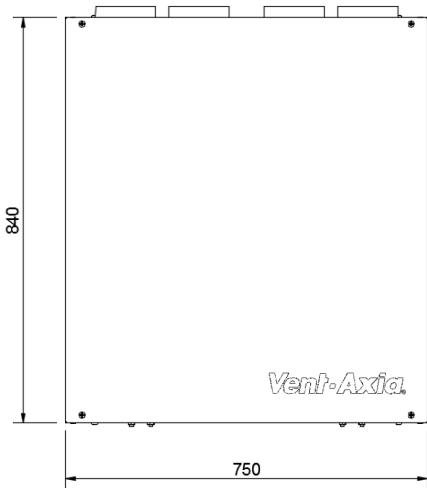
Acoustic Enclosure + MVHR unit

SIZE & WEIGHT

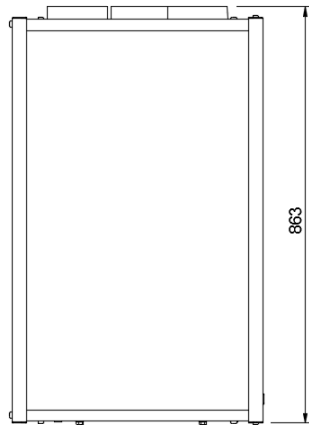
TOP



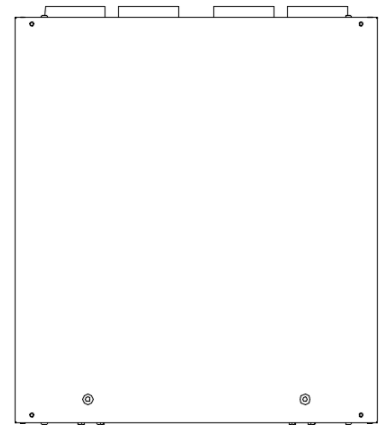
FRONT



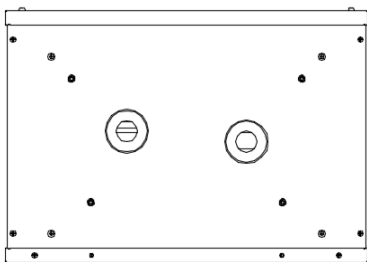
SIDE



BACK



BASE



WEIGHT

Enclosure without unit 31kg

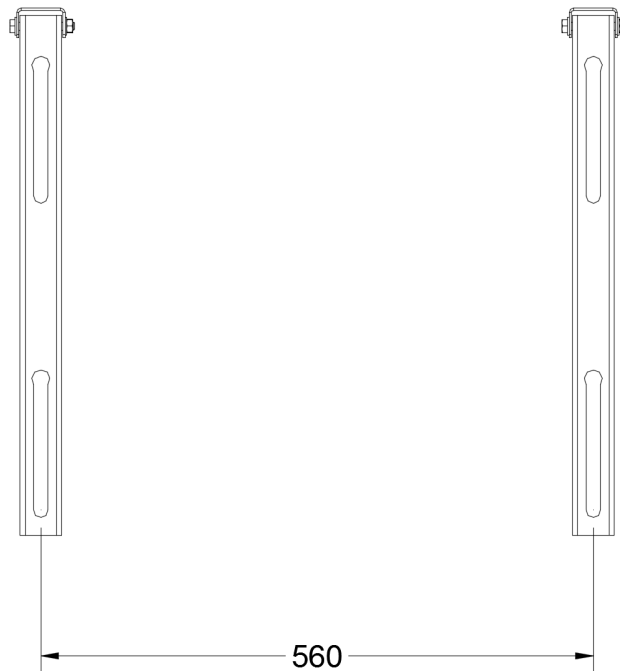
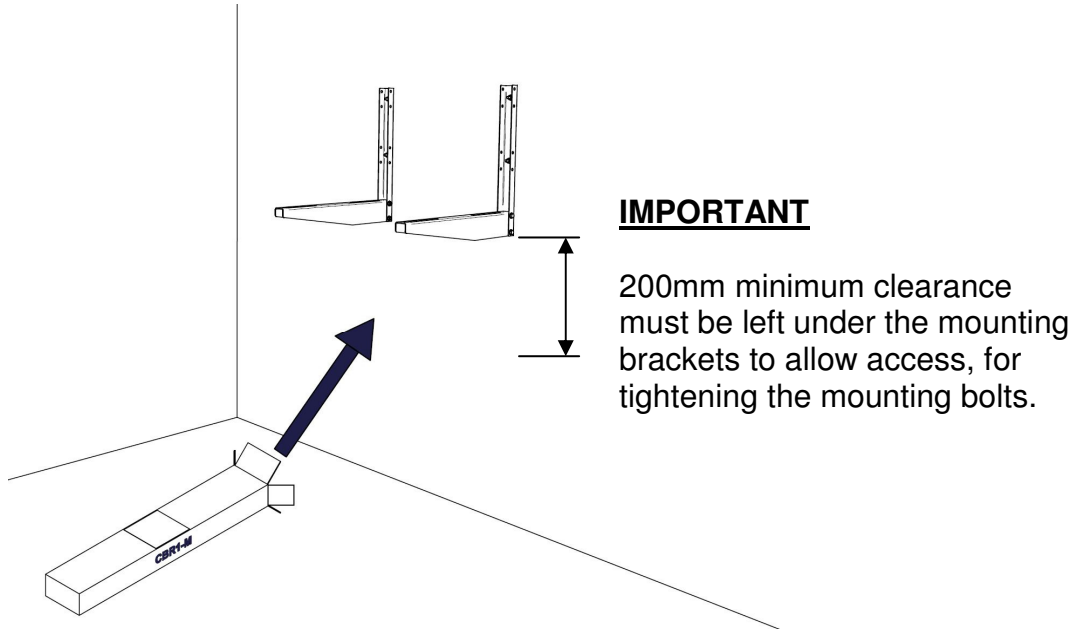
Enclosure with unit 54kg

Advance Unit 27kg

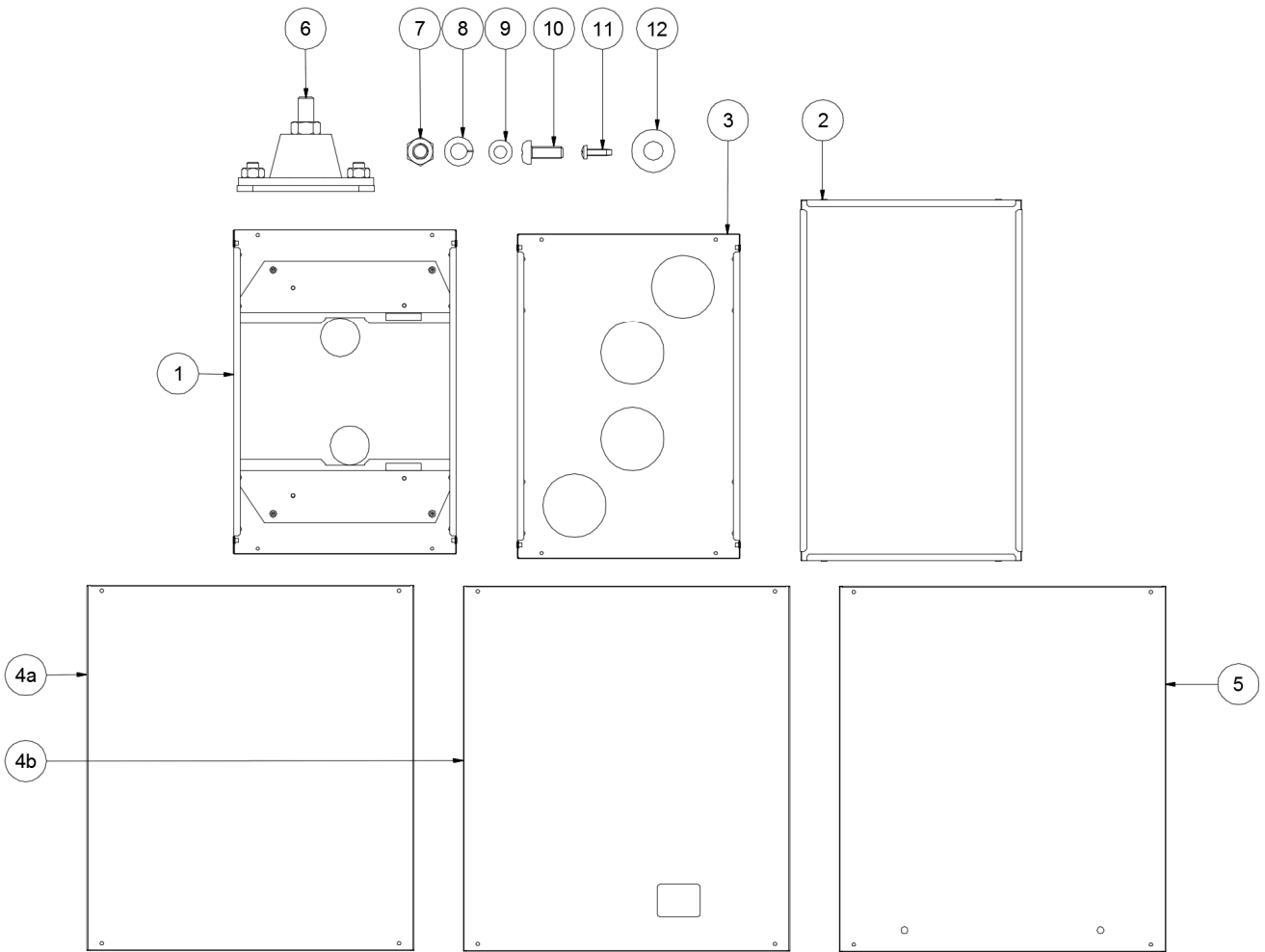


FIX MOUNTING BRACKETS

Unpack mounting brackets from separate box and assemble and fix in accordance with the Instruction leaflet supplied with the brackets to 560mm centres.

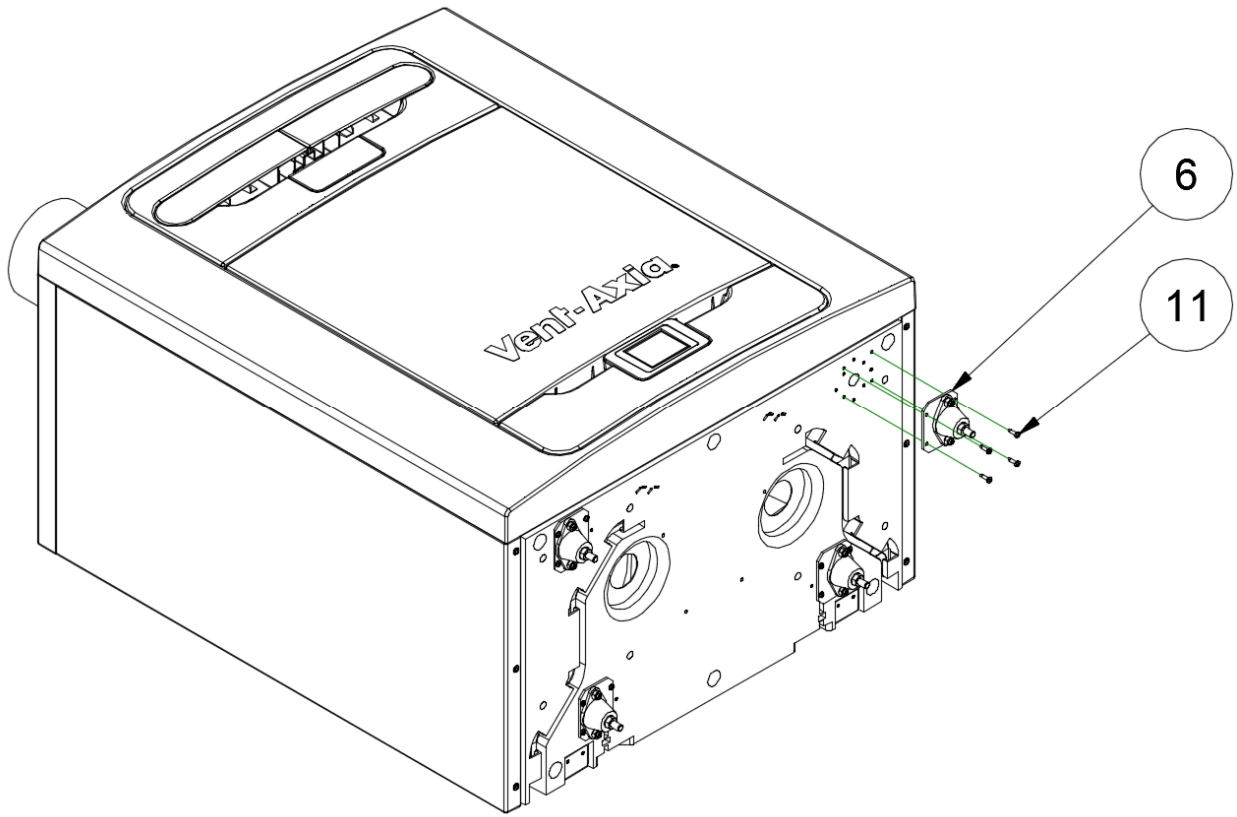


ENCLOSURE PARTS

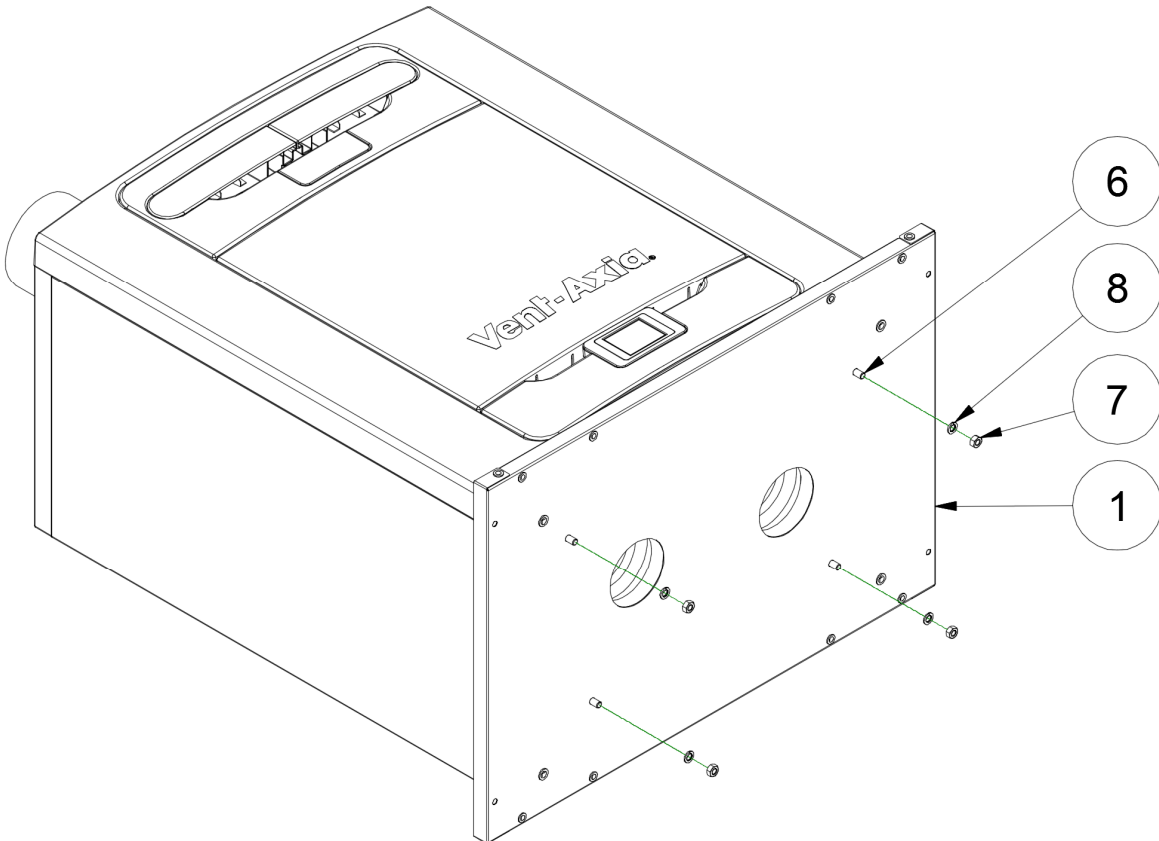


ENCLOSURE PARTS		
ITEM	QTY	DESCRIPTION
1	1	BASE PANEL
2	2	SIDE PANEL
3	1	TOP PANEL
4a	1	FRONT PANEL – Advance S
4b	1	FRONT PANEL – Advance SX
5	1	REAR PANEL
6	4	AV MOUNT
7	4	NUT M8
8	4	SPRING WASHER M8
9	16	WASHER M6
10	16	SCREW M6 X 16
11	16	SCREW NO6x1/2IN POZI PAN
12	2	RUBBER GROMMET

FIT AV MOUNTS



FIT BASE PANEL

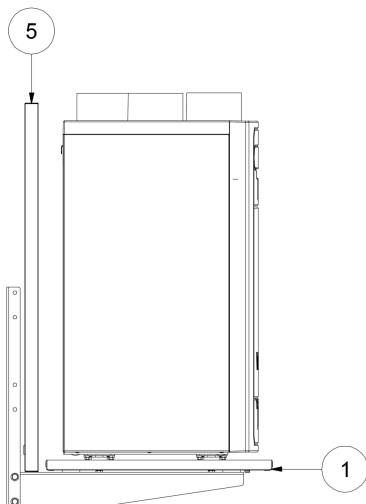
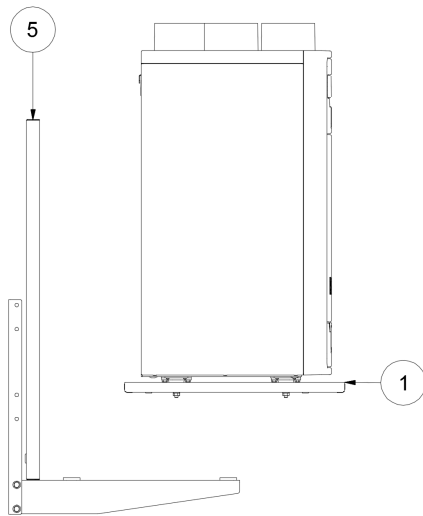
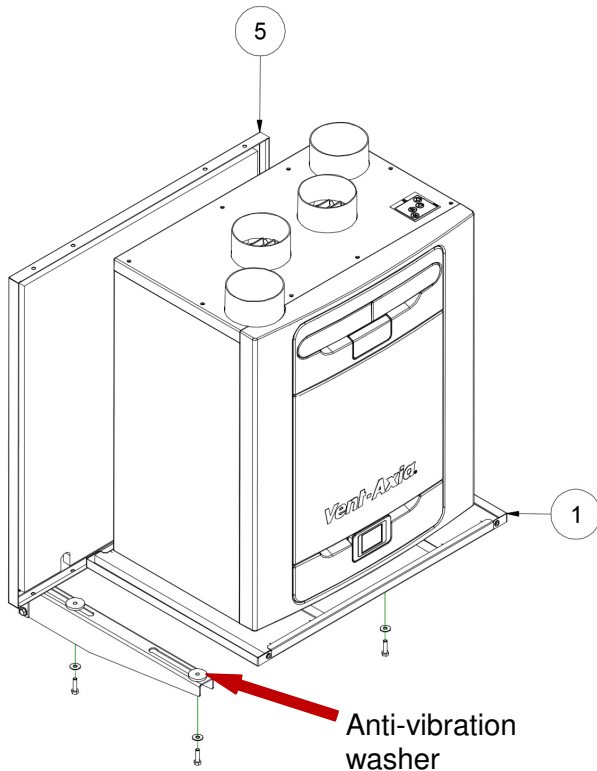


BACK PANEL & UNIT MOUNT

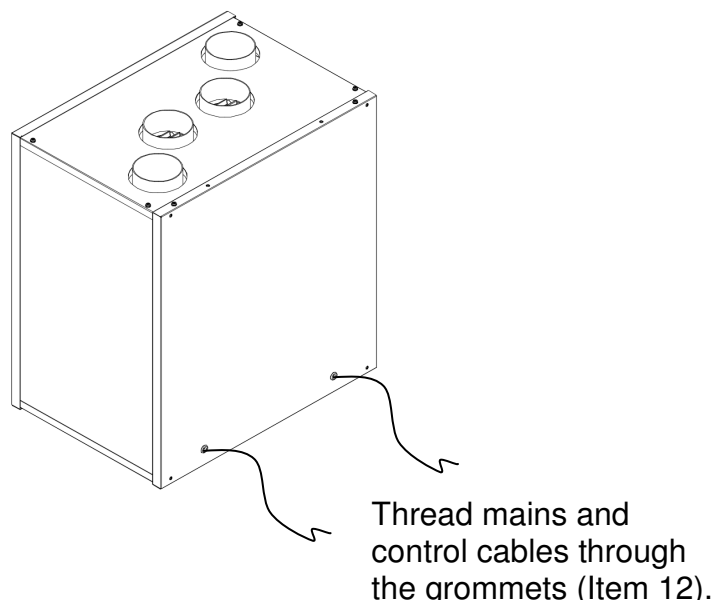
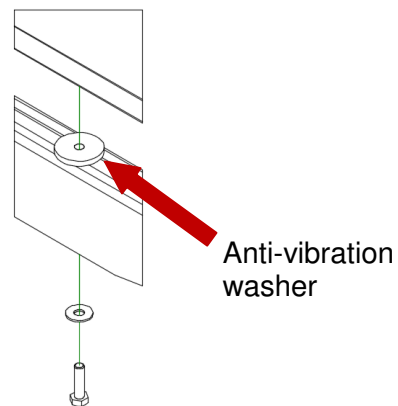


IMPORTANT – ASSISTANCE WILL BE NEEDED AT THIS STAGE.

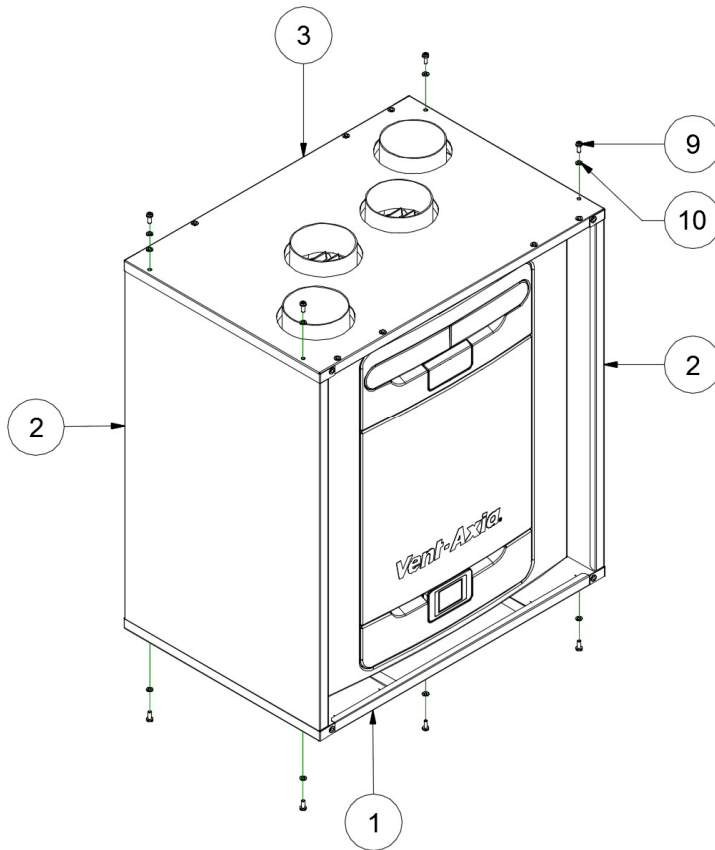
1. First fix the 4 anti-vibration washers (**ONLY**) to the mounting brackets. (Supplied in bracket kit)
2. Then place the back panel onto the mounting brackets, grommet ends to the bottom.
3. Lift the unit & base panel onto the mounting brackets.
4. Line up the holes on the base panel with the anti-vibration washers and insert the washers & bolts. Do **NOT** over tighten, leave loose. (Supplied in bracket kit) **See view "A"**
5. Thread mains and control cables through grommets before panel assembly.



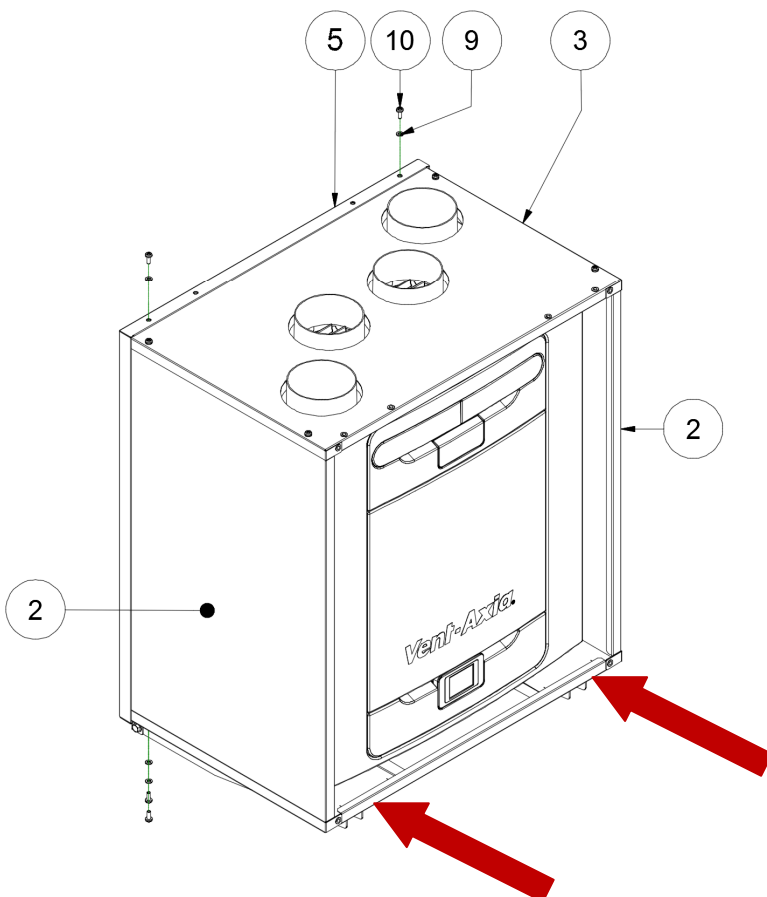
A



FIT TOP AND SIDE PANELS



FIT BACK PANEL

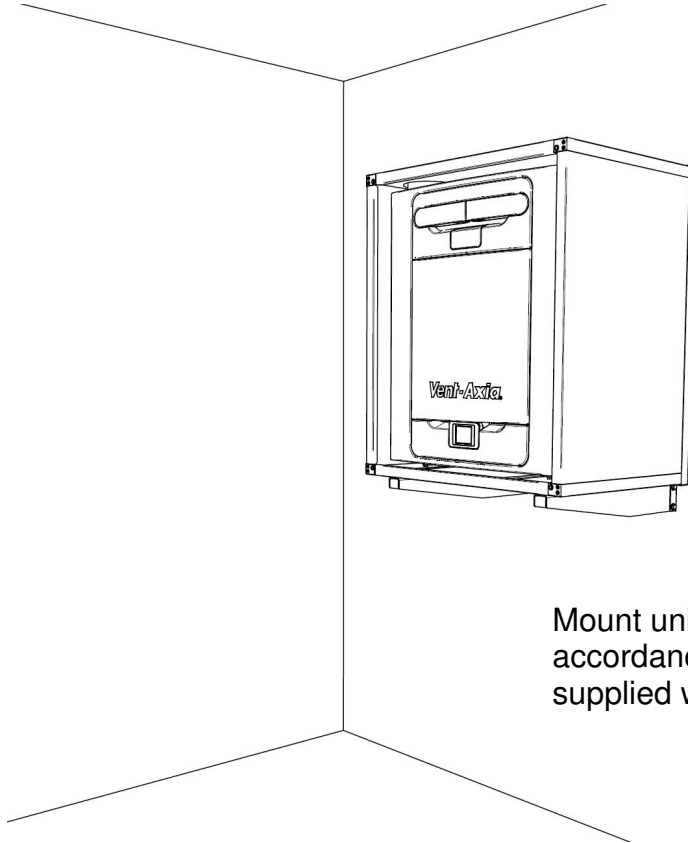


Once back panel is fitted, push unit back towards the brackets and tighten the 4 bolts on the mounting brackets.

IMPORTANT

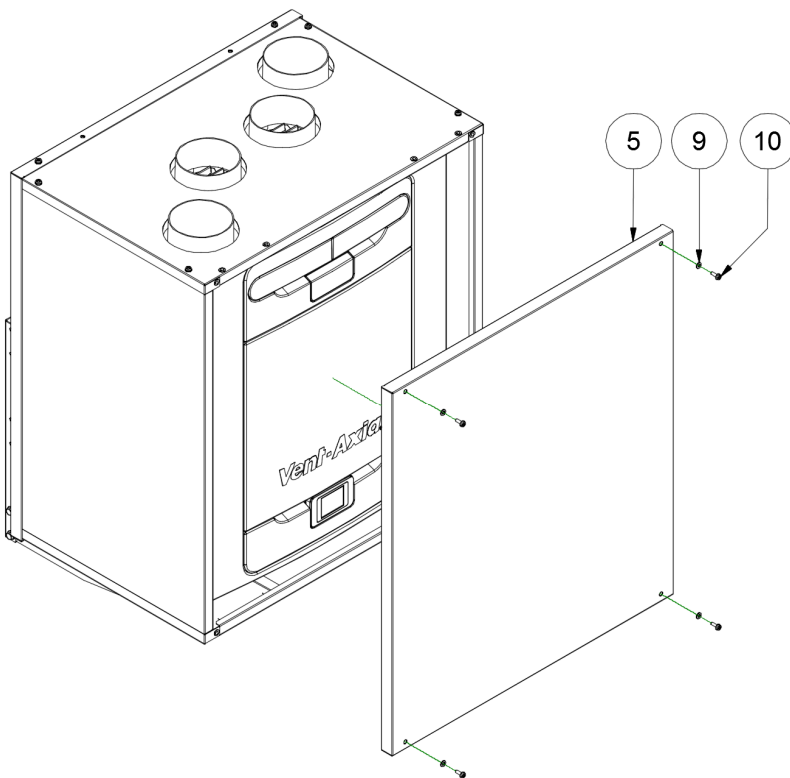
200mm minimum clearance must be left under the mounting brackets to allow access, for tightening the mounting bolts.

MOUNT UNIT ON BRACKETS



Mount unit on brackets in accordance with instruction leaflet supplied with brackets

FIT FRONT PANEL



Once unit is installed and commissioned, as per Installation & Commissioning instructions, then secure front panel back onto Enclosure.

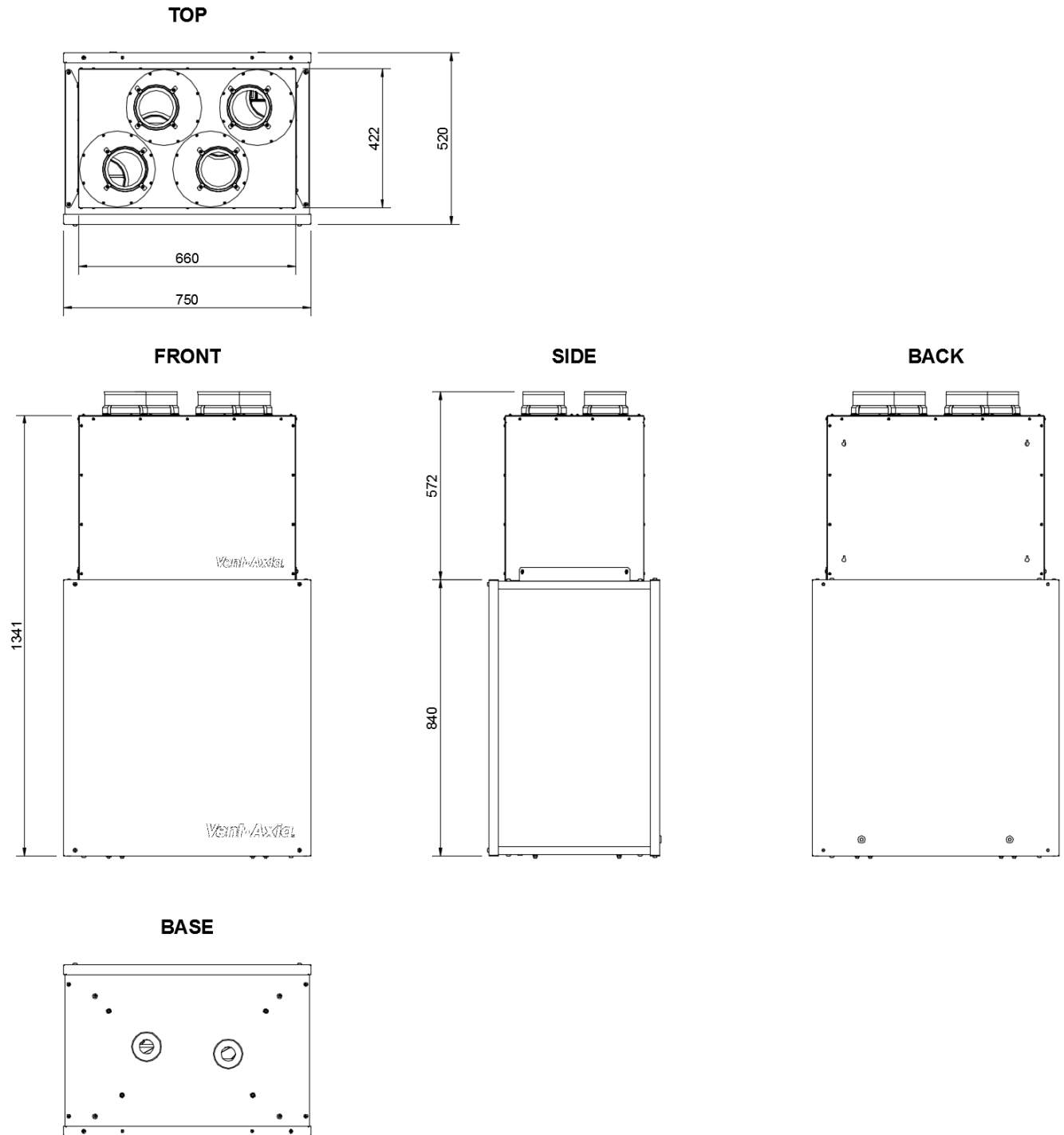
Note: Once front cover is fitted, all alerts and warnings are on the wired remote control display.

Advance SX **ONLY** – App functionality will still be possible with the Enclosure.

Option C

Acoustic Enclosure & Top + MVHR unit

SIZE & WEIGHT



WEIGHT

Top Box without unit 14kg
Enclosure without unit 31kg
Enclosure & Top Box with unit 70kg
Advance Unit 27kg

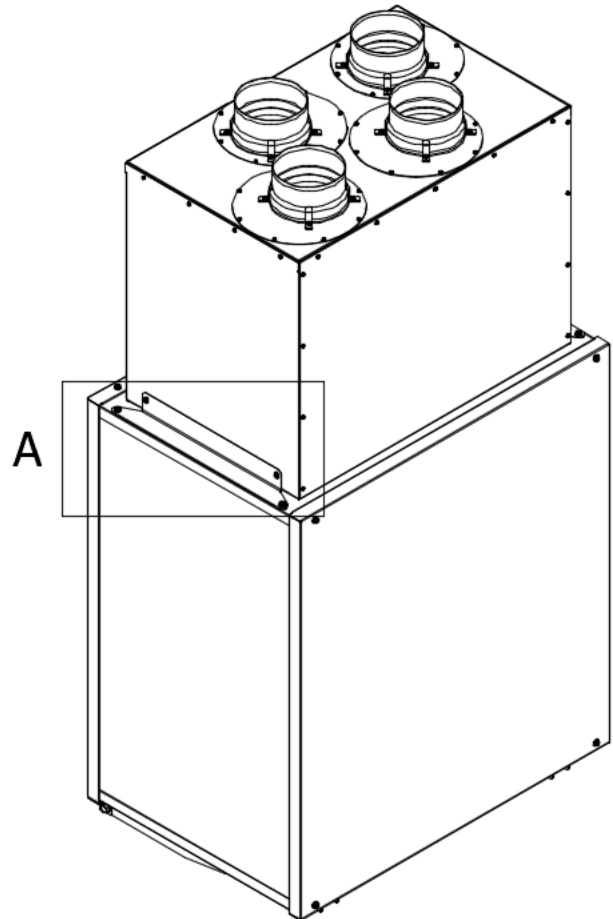
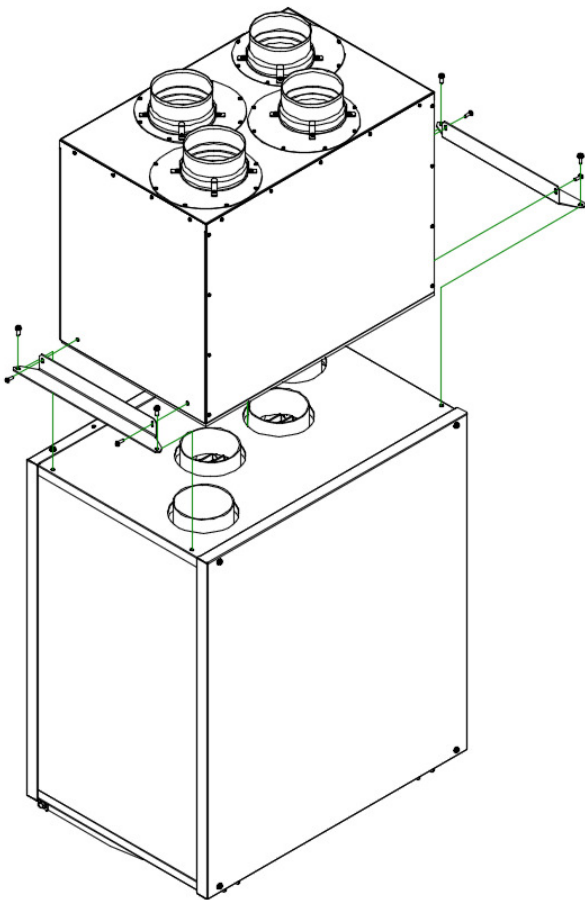


FULL SOLUTION BUILD

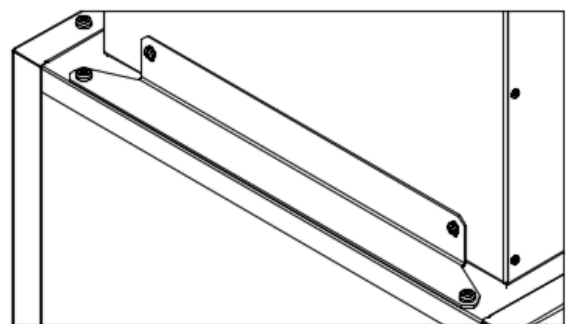
1. Start with instructions - "Option B" Enclosure only – Pages 9 – 15.
2. Then remove the front panel of the Top Box, then place it on top of the Enclosure - "Option A" Top Box only – Pages 5.
3. Fix attenuators onto the spigots; follow the ducting detail information on - "Option A" Top Box only – Pages 7 – 8.
4. Then use Acoustic Bracket Kit 2 to secure the Top Box to the Enclosure. Use the existing screws on the Top Box & Enclosure. (See detail A)
5. Then replace front cover on Top Box
6. Once unit is installed and commissioned, as per Installation & Commissioning instructions.

FIX MOUNTING BRACKETS

Use Acoustic Bracket Kit 2 (478819) to secure Top Box & Enclosure together.



A



The **Vent-Axia** Guarantee

Applicable only to products installed and used in the United Kingdom. For details of guarantee outside the United Kingdom contact your local supplier.

Vent-Axia guarantees its products for two years from date of purchase against faulty material or workmanship. In the event of any part being found to be defective, the product will be repaired, or at the Company's option replaced, without charge, provided that the product:-

- Has been installed and used in accordance with the instructions given with each unit.
- Has not been connected to an unsuitable electricity supply. (The correct electricity supply voltage is shown on the product rating label attached to the unit).
- Has not been subjected to misuse, neglect or damage.
- Has not been modified or repaired by any person not authorised by the company.

IF CLAIMING UNDER TERMS OF GUARANTEE

Please return the complete product, carriage paid to your original supplier or nearest Vent-Axia Centre, by post or personal visit. Please ensure that it is adequately packed and accompanied by a letter clearly marked "Guarantee Claim" stating the nature of the fault and providing evidence of date and source of purchase.

The guarantee is offered to you as an extra benefit, and does not effect your legal rights

Vent-Axia[®]

Head Office: Fleming Way, Crawley, West Sussex, RH10 9YX.

UK NATIONAL CALL CENTRE, Newton Road, Crawley, West Sussex, RH10 9JA

SALES ENQUIRIES: Tel: 0844 8560591 Fax: 01293 534898

TECHNICAL SUPPORT: Tel: 0344 8560595 Fax: 01293 532814

For details of the warranty and returns procedure please refer to www.vent-axia.com or write to Vent-Axia Ltd, Fleming Way, Crawley, RH10 9YX