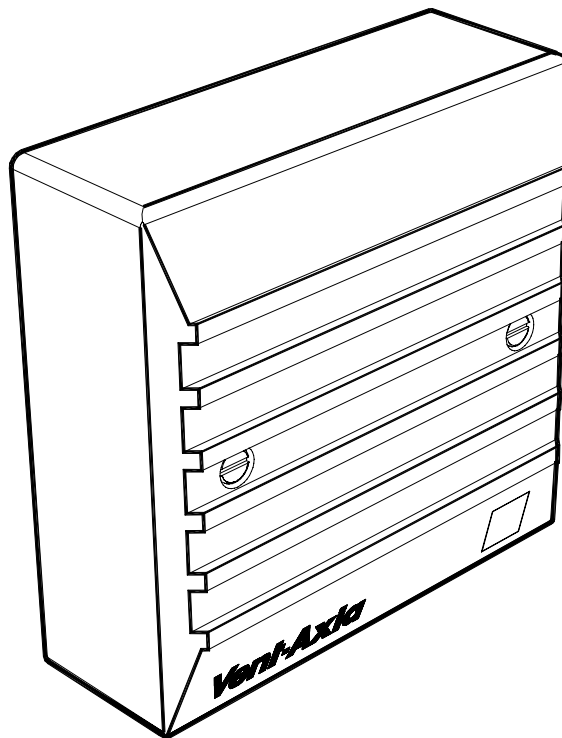


# **Vent-Axia®**

## **Ambient Response Humidity Sensor**

Fitting & Wiring Instructions



OPERATING RANGE: +5°C TO +40°C, UP TO 90% RH  
SUPPLY: 220-240V~50Hz  
MAXIMUM LOAD: 220-240V~50Hz 1A

### **Stock Ref:- 56 35 50A**

READ INSTRUCTIONS IN CONJUNCTION WITH ILLUSTRATIONS  
READ AND SAVE THESE INSTRUCTIONS



## **PLEASE READ ALL INSTRUCTIONS CAREFULLY BEFORE INSTALLATION**

### **OPERATION**

This sensor is designed to respond to the severity of moisture generating activity as well as the ambient humidity and then to switch on an extract fan.

The pullcord will override the RH control and switch the fan to run continuously. The pullcord should be pulled again to return the sensor to the automatic mode activated by the Humidity sensor. There is no permanent "OFF" position.

#### **Note to the installer and end user.**

When power is first applied to the sensor, it will switch the fan on for approximately 2 seconds to indicate power is connected. If the fan remains switched on for more than 10 seconds, the pullcord should be pulled once to check that the sensor is not in override mode. (LED will go out).

The LED ON indicates that the Humidity sensor is in manual override mode.

After initial start up the Humidity sensor will take approximately 1 minute to acclimatise to the local environment before entering its operational state.

### **SITING**

- This sensor is not suitable for installation in a shower cubicle or enclosure and must be out of reach of a person using a fixed bath or shower.
- Site the sensor on a wall away from direct sources of heat and out of direct sunlight. Do not site directly above a cooker or in an area where excessive heat, smoke or grease is present as this may affect the accurate working of the Humidity sensor.
- Site the sensor away from the fan, on an inside wall between the major moisture sources and the door to the other rooms of the home, at about 100mm (4") below the ceiling and preferably in direct sight of the fan i.e, not in a dead spot hidden behind or above a cupboard.

### **FITTING**

The Humidity sensor is designed for fitting onto any British single-gang outlet box, either surface or recessed; which have a minimum depth of 20mm. A Vent-Axia surface mounting box (stock ref. no. 410020) is available.

### **WIRING**

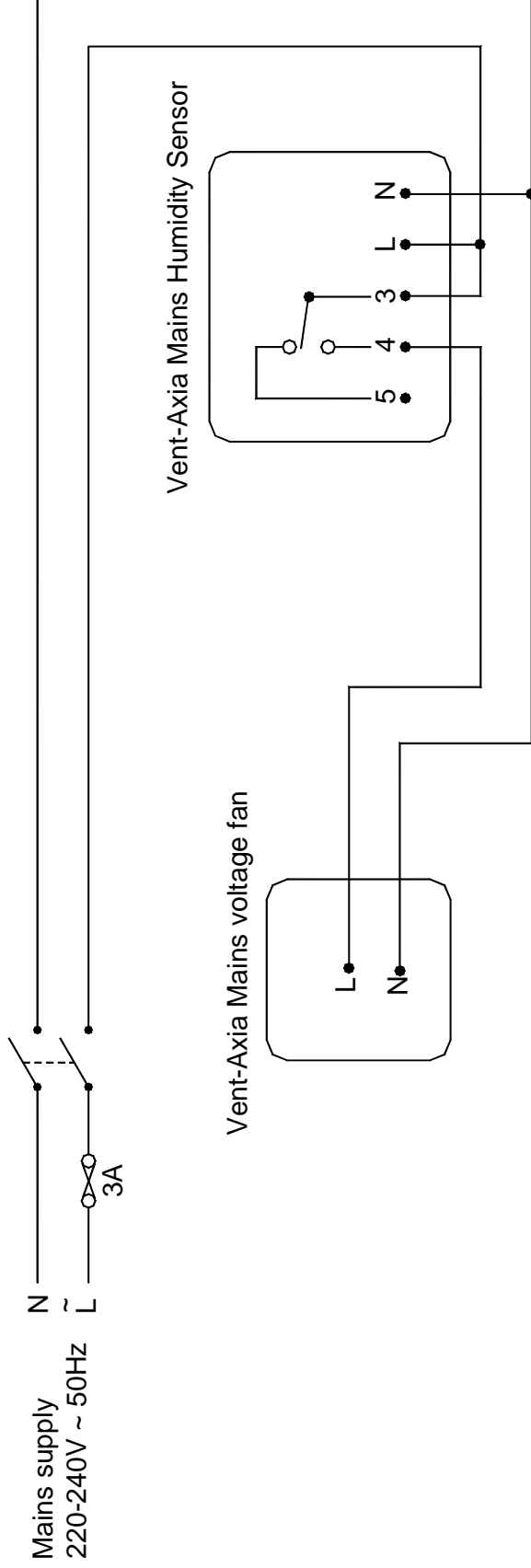
#### **Warning**

- Switch off mains before proceeding with wiring.
- Ensure mains supply is correct and the load does not exceed sensor rating.
- The sensor (and any appliance) must be installed in accordance with IEE regulations (BS7671) in the UK or the appropriate standards in your country.
- The sensor is a Class II product and **MUST NOT** be earthed. However, if the sensor is mounted on a metal outlet box, the outlet box must be earthed. If the fan requires an earth connection then earth continuity must be provided.

Wiring should be via a switched spur with a 3 amp fuse (UK). The installation **MUST** be provided with a double pole switch with contact separation of at least 3mm. The switch should be located outside the room if it contains a fixed bath or shower, or in accordance with mandatory wiring and safety regulations.

### EXAMPLE WIRING CONNECTIONS

Fan on when relay energised by rise in relative humidity or manual override, Off otherwise



### AMBIENT RESPONSE HUMIDITY SENSOR TERMINAL CONNECTIONS

- N. Neutral mains supply
- L. Live mains supply
- 3. Relay common contact
- 4. Relay normally open contact (Closed for rise in relative humidity or manual override)
- 5. Relay normally closed contact (Open for rise in relative humidity or manual override)

**VENT-AXIA CONTACT NUMBERS  
UK NATIONAL SALES CENTRE**

**Domestic & Commercial**

Tele: 01293 530202  
Fax: 01293 565169

**Industrial**

Tele: 01293 441570  
Fax: 01293 534898

**REPUBLIC OF IRELAND**

Vent-Axia Ventilation Ltd.

Tele: (01) 450 4133 Fax: (01) 450 4570

**UK NATIONAL TECHNICAL SUPPORT**

**Domestic & Commercial**

Tele: 01293 526062  
Fax: 01293 551188

**Industrial**

Tele: 01293 455196  
Fax: 01293 455197

Internet site at: [www.vent-axia.com](http://www.vent-axia.com)

Email: [info@vent-axia.com](mailto:info@vent-axia.com)

**The Vent-Axia Guarantee**

Applicable only to products installed and used in the United Kingdom. For details of the Guarantee outside of the United Kingdom contact your local supplier.

Vent-Axia guarantees this product for two years from the date of purchase against faulty material or workmanship. In the event of any part being found to be defective, the product will be repaired, or at the Company's discretion the product will be replaced without charge, provided that the product:

- 1). Has been installed and used in accordance with the instruction given with each unit.
- 2). The electricity supply complies with the rating label.
- 3). Has not been misused, neglected or damaged.
- 4). Has not been modified or repaired by any person not authorized to do so by Vent-Axia.

**IF CLAIMING UNDER THE TERMS OF THE GUARANTEE**

Please return the complete product, carriage paid to your original supplier by post or in person. Please ensure that it is adequately packed and accompanied by a letter clearly marked 'Guarantee Claim' stating the nature of the fault and providing proof of the date and source of purchase.

As part of the policy of continuous product improvement  
Vent-Axia reserve the right to alter specifications without notice

***Vent-Axia***®