

# NEW Vent-Axia Lo-Carbon Calido

- Up to 80% heat recovery to reduce energy bills
- Reduce the home's carbon footprint and save money on energy bills
- Ideal for retrofit applications
- Intelligent controls to eliminate condensation within the unit
- Adjustable airflows
- Filter replacement indicator ensures continuous good indoor air quality
- Incredibly reliable due to EC motor
- CE and S Mark - independently tested and certified for safety
- IP24 rated
- 5 year warranty



## Discrete Whole House Heat Recovery

The Vent-Axia Lo-Carbon Calido is designed to remove stale air from any habitable room and replace it with fresh air. This unit is designed to be ducted therefore it can benefit more than one room at a time i.e. if installed in a bathroom, stale and moist air will be extracted and fresh air will be supplied to other habitable rooms via installed ducting.

The Vent-Axia Lo-Carbon Calido offers up to 80% heat recovery which helps reduce the amount of heat lost from the property. This helps save money by reducing energy costs as well as reducing carbon emissions. The unit cleverly recovers heat from heat lost through extraction and reuses it to warm the air re-entering the property.

One unit can help improve the air quality of a whole house and with changeable filters it can help provide clean air all year round. With three air flow options available, the Vent-Axia Lo-Carbon Calido can be installed in many types of properties and its compact design means it will ventilate and recover heat quietly in the background. It can also be wall or ceiling mounted depending on space availability, making it perfect for many retrofit applications.

---

## Models

### Vent-Axia Lo-Carbon Calido

The Vent-Axia Lo-Carbon Calido is a robust unit with an IP24 rating and is double insulated for extra protection. It uses an EC motor, which is incredibly reliable and comes with a five year warranty.

Stock Ref  
**411133**

---

## Accessories

### Model

Filter kit standard G4 2pcs

External wall kit 100mm

Exhaust air adaptor

Calido Controller

### Stock Ref

**411156**

**411163**

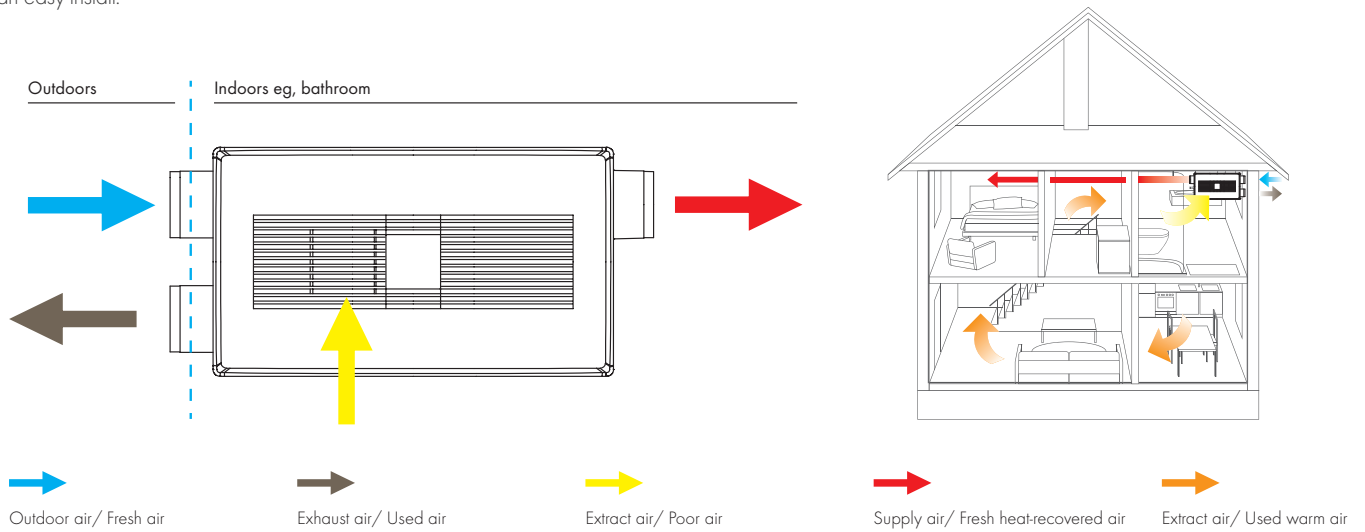
**411164**

**411331**

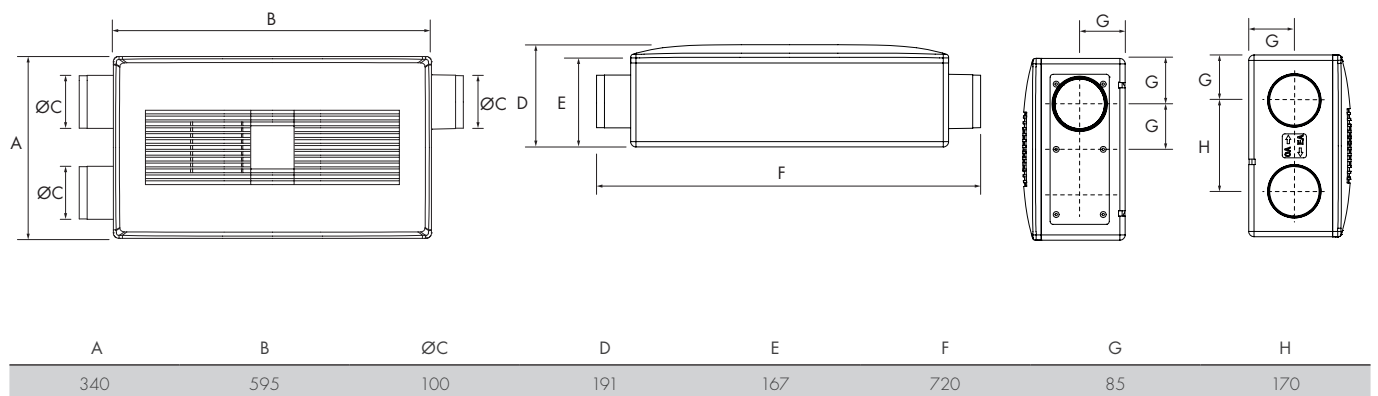
---

## Typical Installation

The Vent-Axia Lo-Carbon Calido requires two 100mm diameter holes - one to extract stale air and one to intake fresh air. It also comes with a drilling template for an easy install.



## Dimensions (mm)



## Performance

Wall opening:	100 mm
Balanced Air flow:	8.3 - 25 l/s
Power consumption:	3.5 - 25W
Sound emission:	19 - 35 dB(A)
Heat Recovery:	80%
Temperature range:	-30 - 35 °C