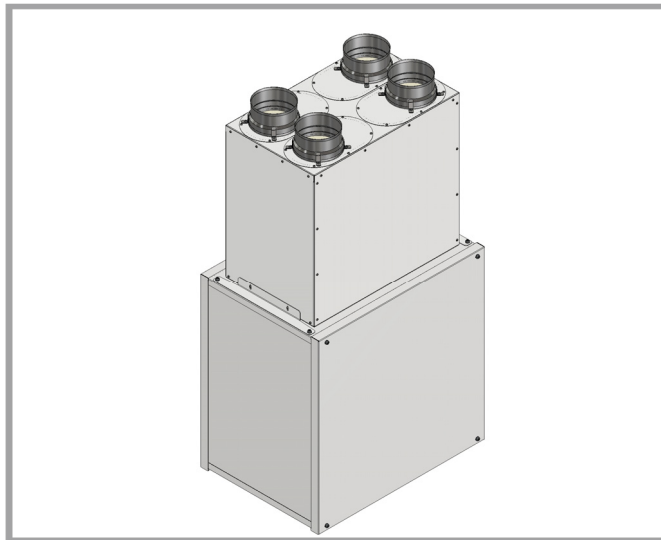


# Acoustic Top Box & Enclosure

For Sentinel Kinetic Range

Fitting Instructions



## Stock Ref. No:

### TOP BOX

478071 - Kinetic BH  
478072 - Kinetic FH  
478073 - Kinetic PLUS  
478074 - Kinetic HIGH FLOW

### ENCLOSURE

478076 - Kinetic BH  
478077 - Kinetic FH  
478078 - Kinetic PLUS  
478079 - Kinetic HIGH FLOW

***Vent-Axia***<sup>®</sup>

READ IN CONJUNCTION WITH ILLUSTRATIONS  
PLEASE SAVE THESE INSTRUCTIONS

These instructions should be read in conjunction with the Sentinel Kinetic MVHR Installation and Commissioning Manual (Vent-Axia part no. 439817).



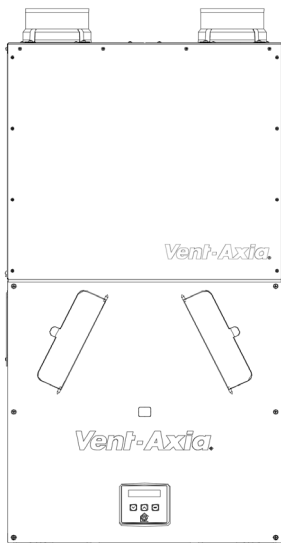
**Important: Check spigot configuration for LEFT or RIGHT HAND setup**  
“These units are heavy and should only mounted on walls capable of bearing their weight i.e. a solid masonry wall or a stud wall that has been specially constructed with extra studs and boards.”

Note: The use of sound attenuators on the ducting is recommended.

## Acoustic Solution Options

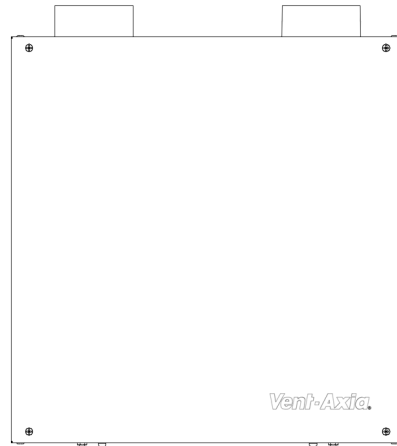
### Option A

Top Box only + MVHR unit  
Pages 3 – 15



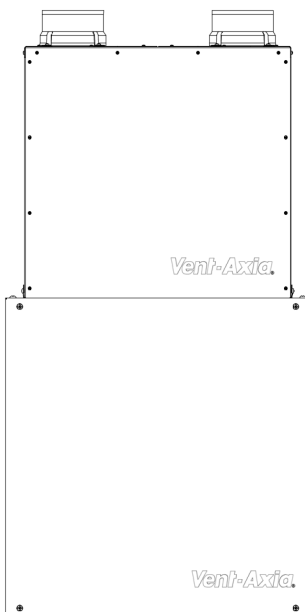
### Option B

Enclosure only + MVHR unit  
Pages 16 - 25



### Option C

Top Box & Enclosure + MVHR unit  
Pages 26 - 28



## Acoustic Bracket Kits

Top Box – **Option A**  
BH Acoustic Bracket Kit 1 – **478813**  
FH Acoustic Bracket Kit 1 – **478815**  
PLUS & HIGH FLOW Acoustic  
Bracket Kit 1 – **478816**

Top Box & Enclosure – **Option C**  
BH & FH Acoustic Bracket Kit 2 – **478814**  
PLUS & HIGH FLOW Acoustic  
Bracket Kit 2 – **478817**

## Wired Remote Control Kit

Control Kit will be required with  
“**Option B & Option C**” setups  
Remote Controller – **443283**

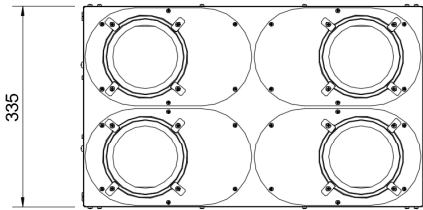
## Option A

Acoustic Top Box BH & FH + MVHR unit

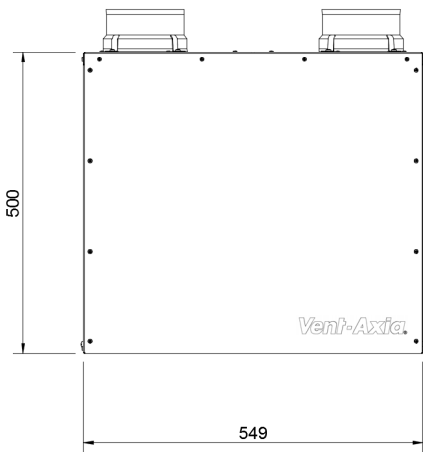
### SIZE & WEIGHT

#### BH & FH UNITS

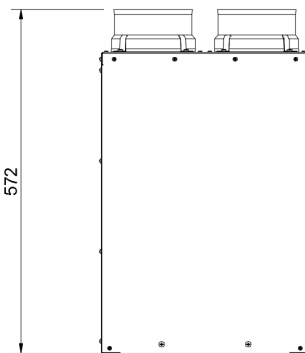
TOP



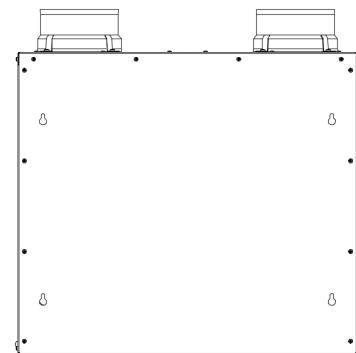
FRONT



SIDE

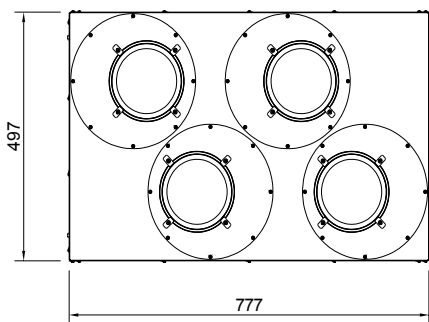


BACK

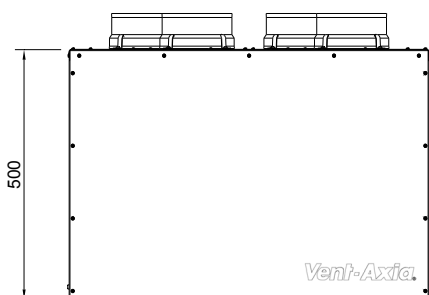


#### PLUS & HIGH FLOW UNITS

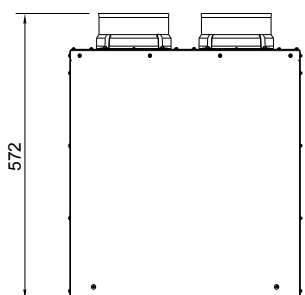
TOP



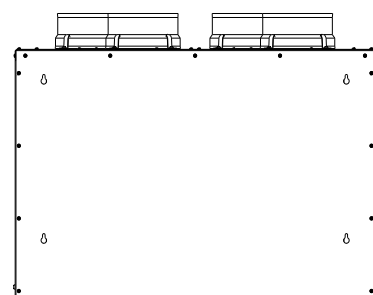
FRONT



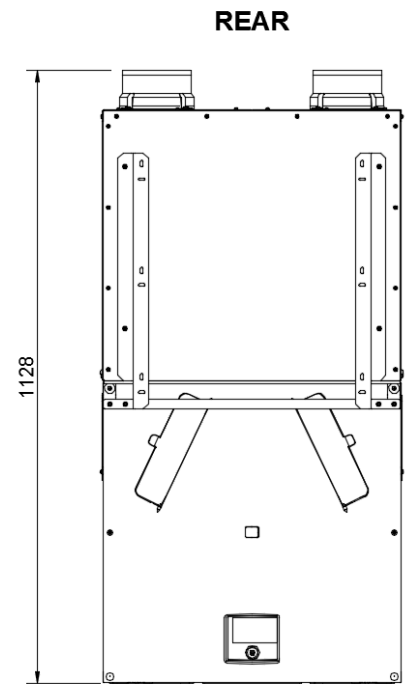
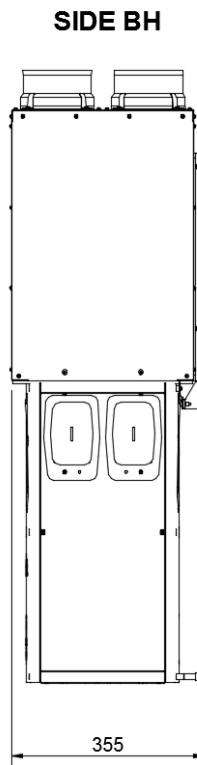
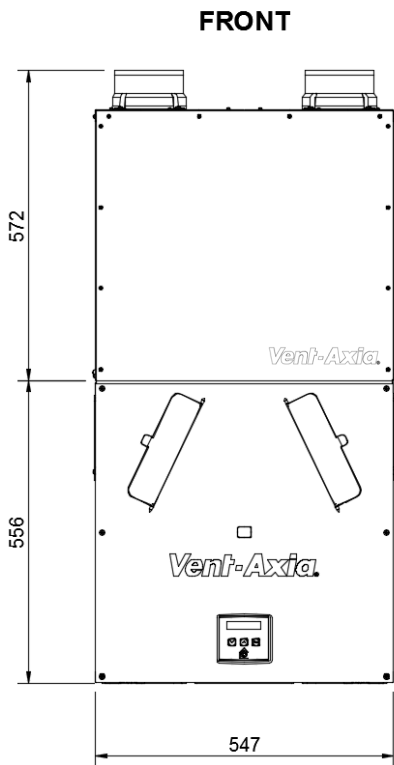
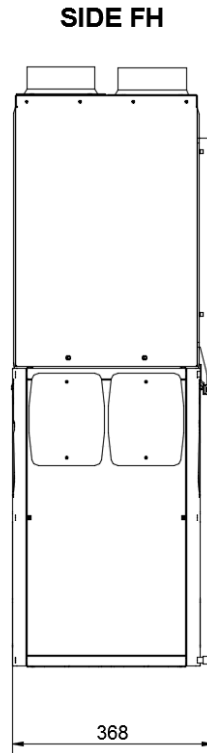
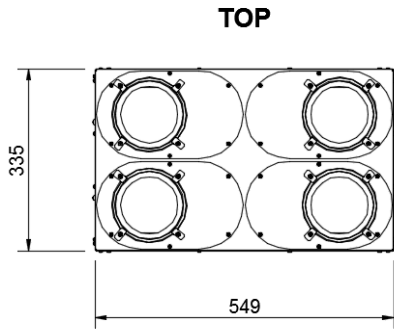
SIDE



REAR



## **BH & FH UNITS**



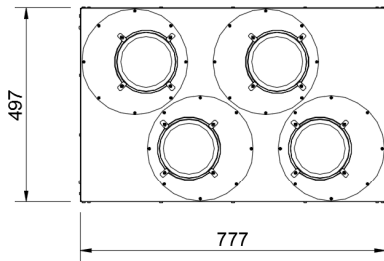
## **WEIGHT**

BH & FH Top Box without unit 12kg  
BH Top Box with unit 27kg  
FH Top Box with unit 30kg  
BH unit 15kg  
FH unit 18kg

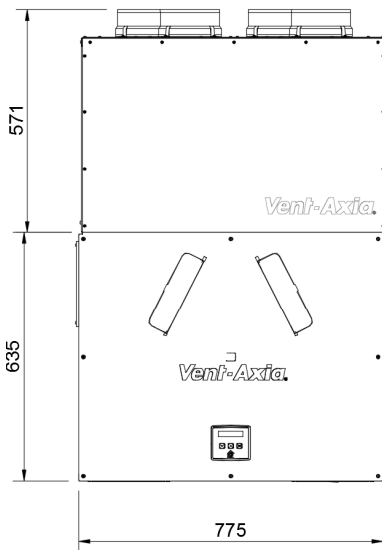


## PLUS & HIGH FLOW UNITS

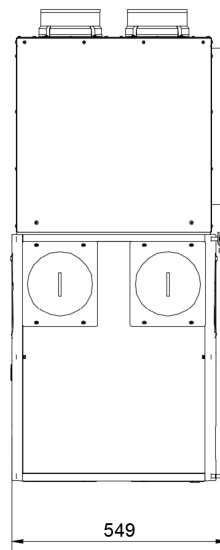
TOP



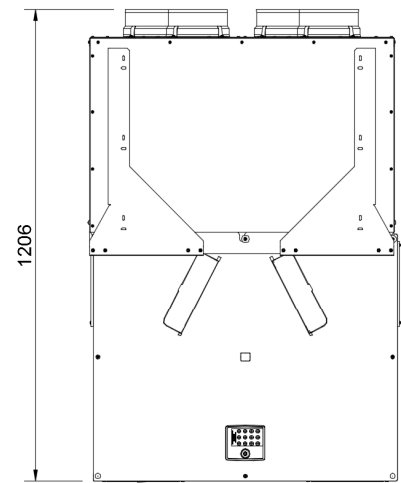
FRONT



SIDE



REAR



## WEIGHT

PLUS & HIGH FLOW Top Box without unit 17kg

PLUS Top Box with unit 41kg

HIGH FLOW Top Box with unit 48kg

PLUS Unit 24kg

HIGH FLOW Unit 31kg



## **BH & FH BRACKET ASSEMBLY & MOUNTING BRACKETS**

BH - Use Acoustic Bracket Kit 1 (478813)  
to mount Unit & Top Box.

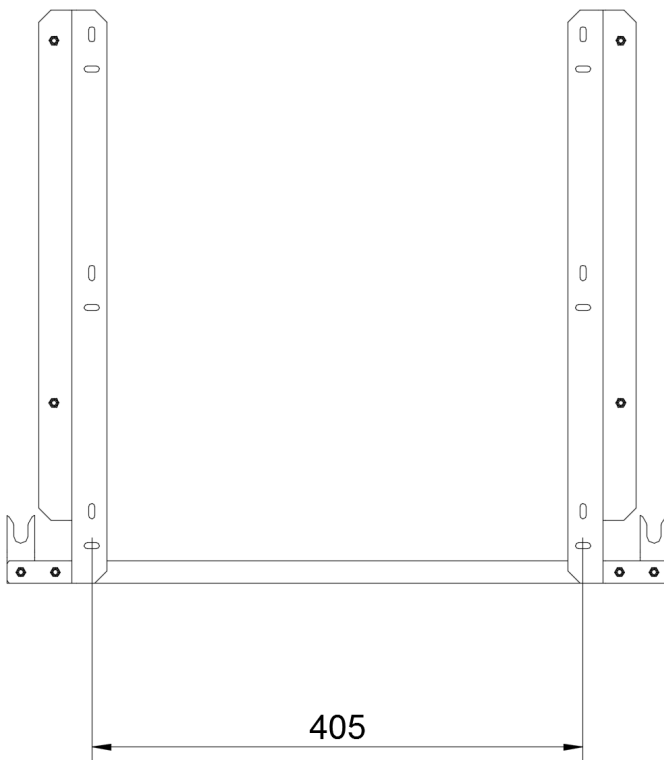
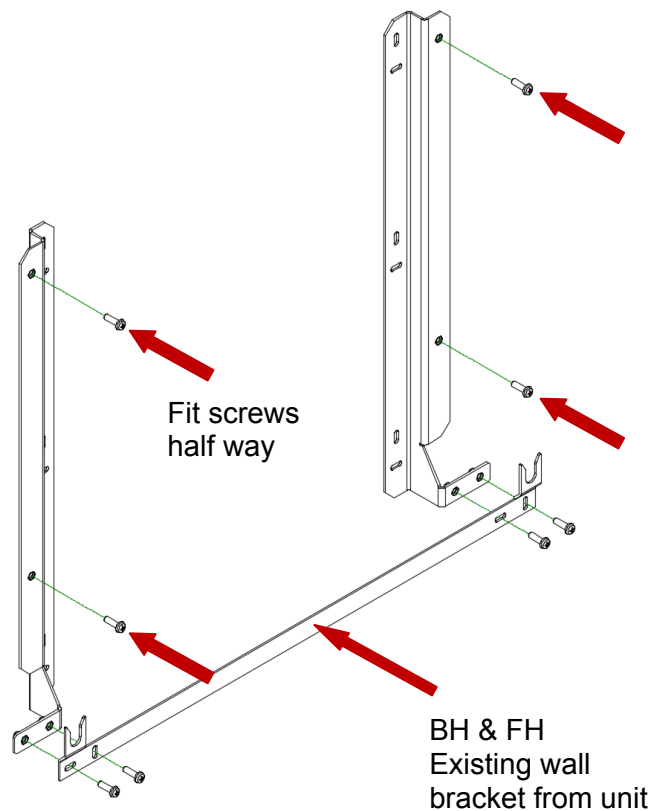
FH - Use Acoustic Bracket Kit 1 (478815)  
to mount Unit & Top Box.

Use existing wall bracket supplied with unit,  
to complete mounting bracket setup.

BH & FH Bracket to be mounted to  
405mm centres.

Fix the 4-off M5x16 screws to secure the  
existing bracket to the new Acoustic  
brackets, supplied in Bracket kit 1

Then fix the remaining 4-off M5X16 screws,  
only half way on the mount brackets.



## **PLUS & HI FLOW BRACKET ASSEMBLY & MOUNTING BRACKETS**

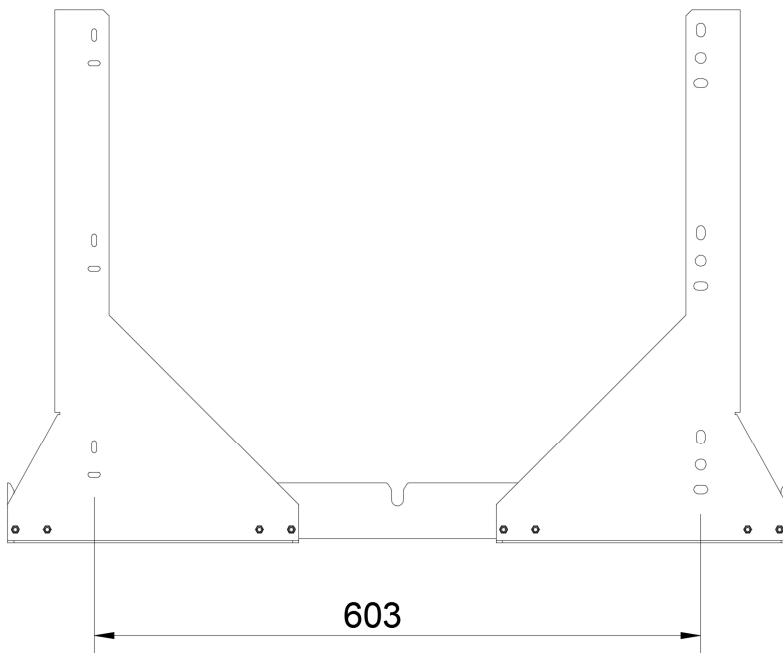
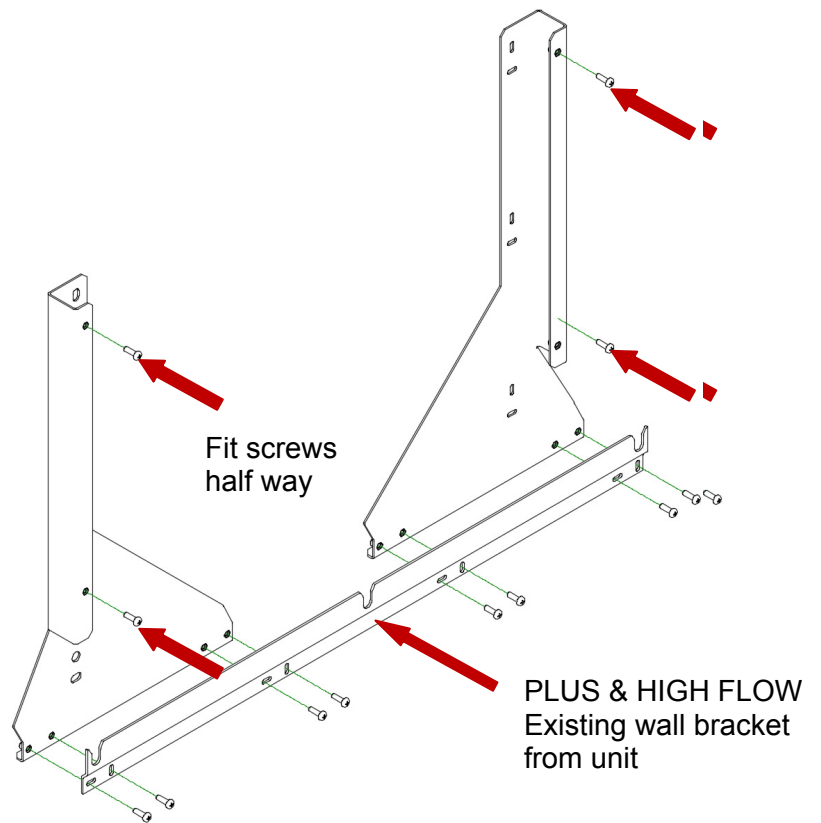
Use Acoustic Bracket Kit 1 (478816) to mount Unit & Top Box.

Use existing wall bracket supplied with unit, to complete mounting bracket setup.

Bracket to be mounted to 603mm centres.

Fix the 8-off M5x16 screws to secure the existing bracket to the new Acoustic brackets, supplied in Bracket kit 1

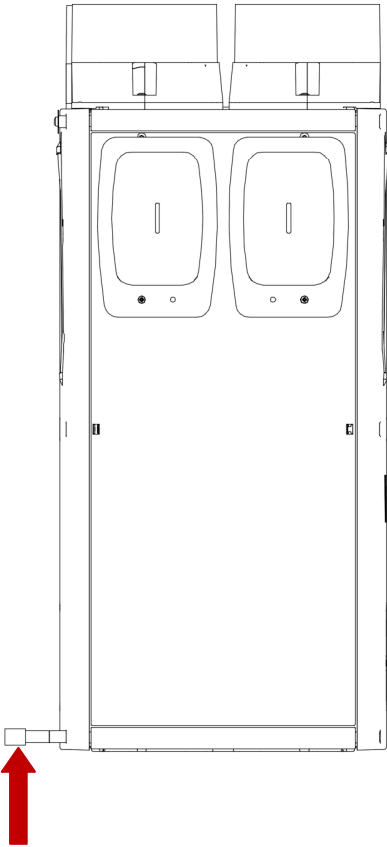
Then fix the remaining 4-off M5x16 screws, only half way on the mount brackets.



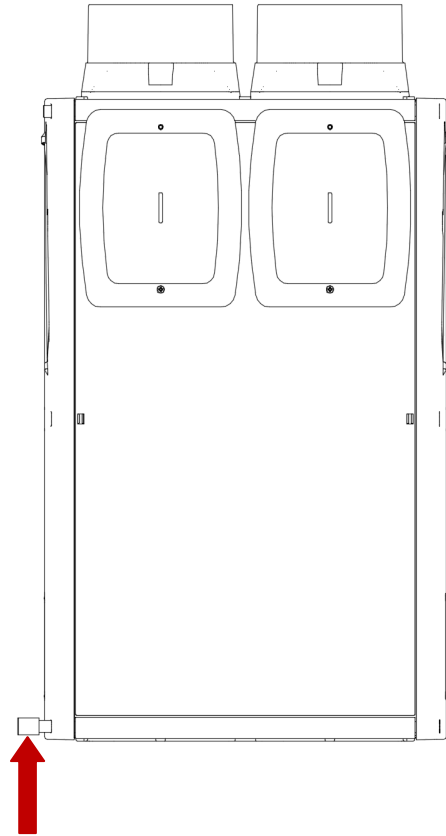
**FIT STANDOFFS TO UNIT**

Before mounting unit, the standoffs need to be replaced on the bottom corners. Use the new fixings supplied in Acoustic Mounting Bracket Kit 1. See images below for details.

**BH**

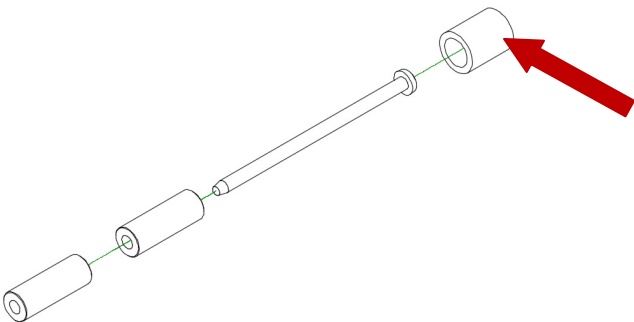


**FH**

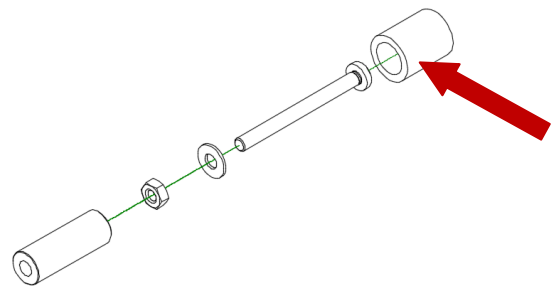


STANDOFF SETUP FROM ACCESSORY PACK 1  
RUBBER STANDOFFS FROM MVHR UNIT ACCESSORY PACK

**BH BASE PANEL SCREW ASSY**

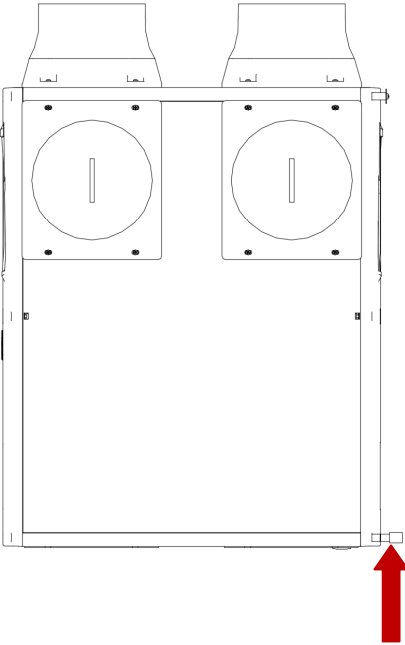


**FH BASE PANEL SCREW ASSY**



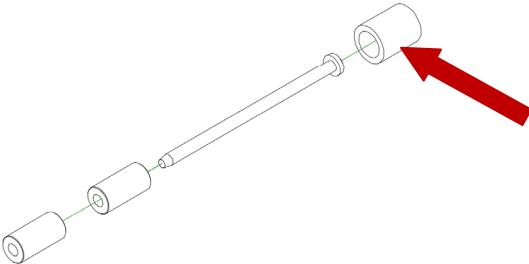


# PLUS & HIGH FLOW



STANDOFF SETUP FROM ACCESSORY PACK 1  
RUBBER STANDOFFS FROM MVHR UNIT ACCESSORY PACK

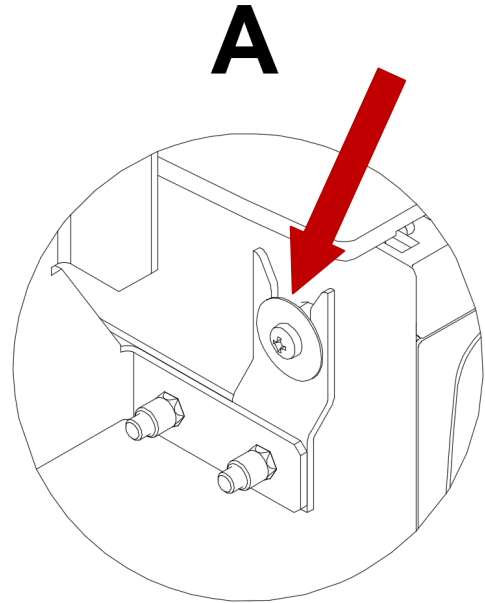
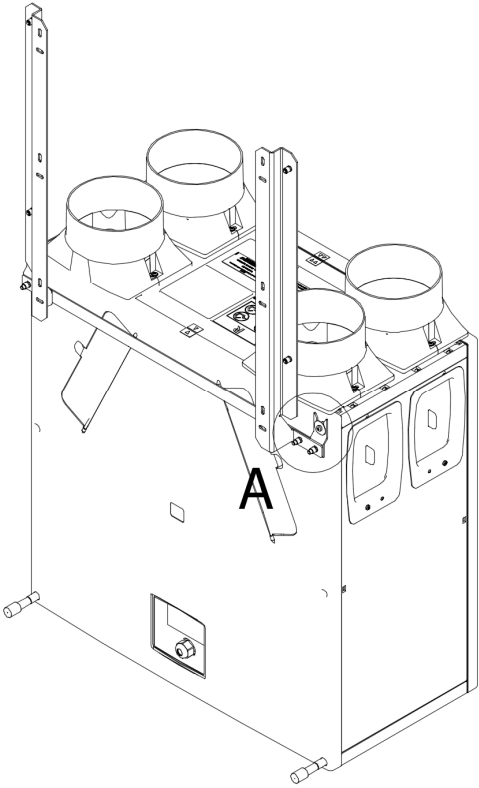
# PLUS & HIGH FLOW BASE PANEL SCREW ASSY



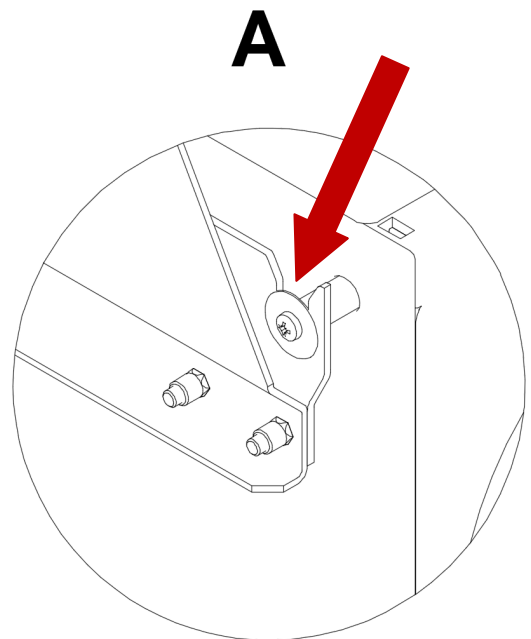
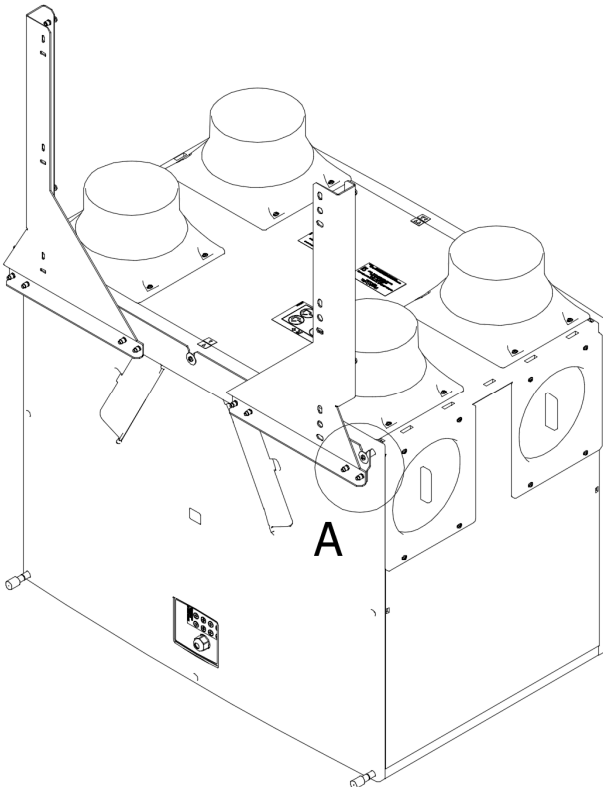
## **MOUNTING UNIT TO BRACKETS**

Unit can be attached to hanging brackets (see view A) with the clips on the rear of the unit.

### **BH & FH UNIT**

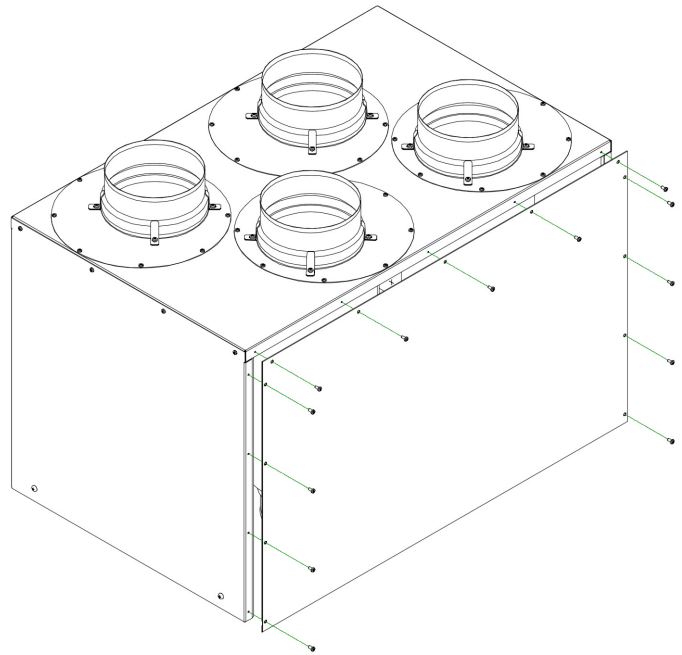


### **PLUS & HIGH FLOW UNIT**

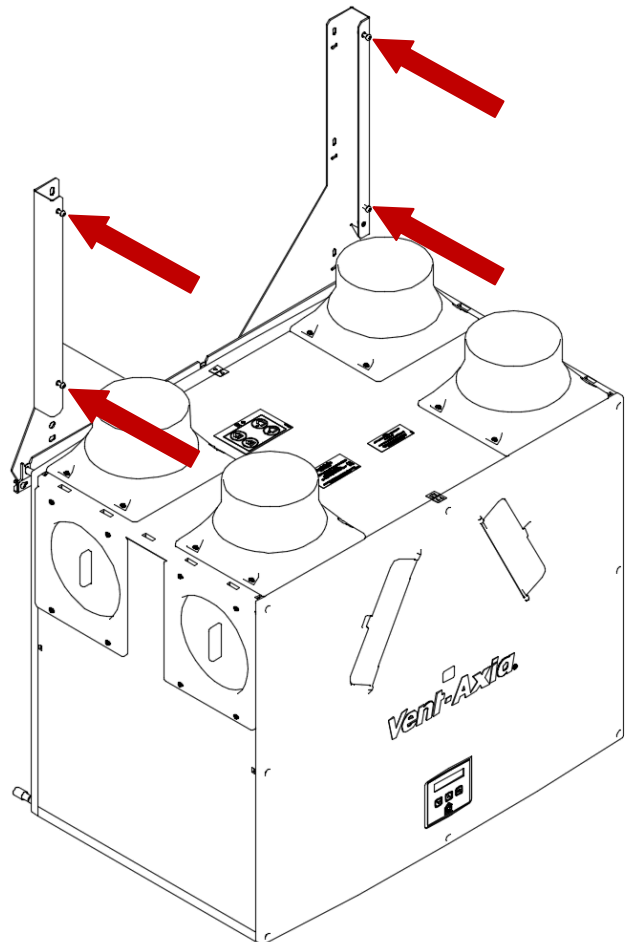
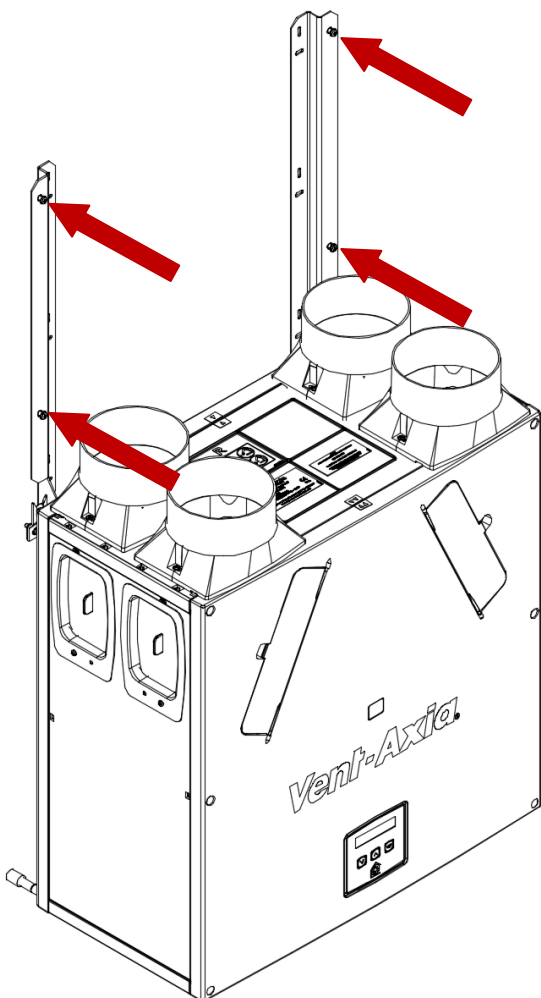


## **MOUNTING TOP BOX TO BRACKETS**

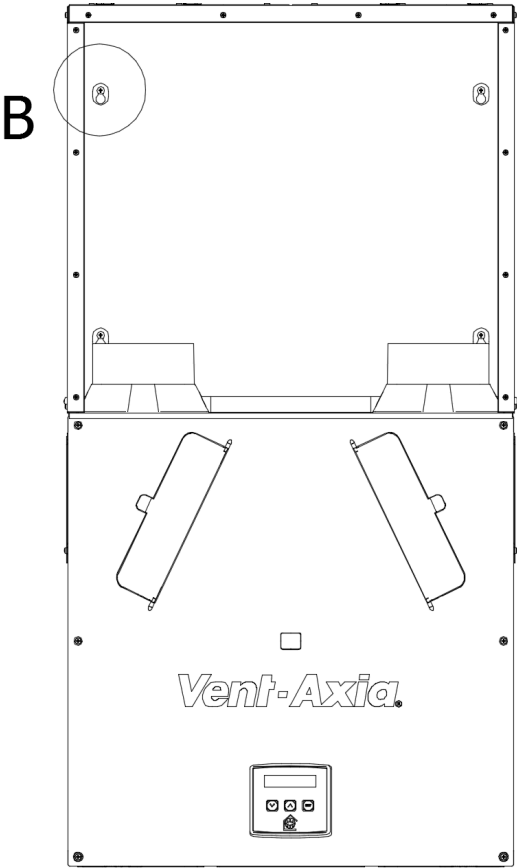
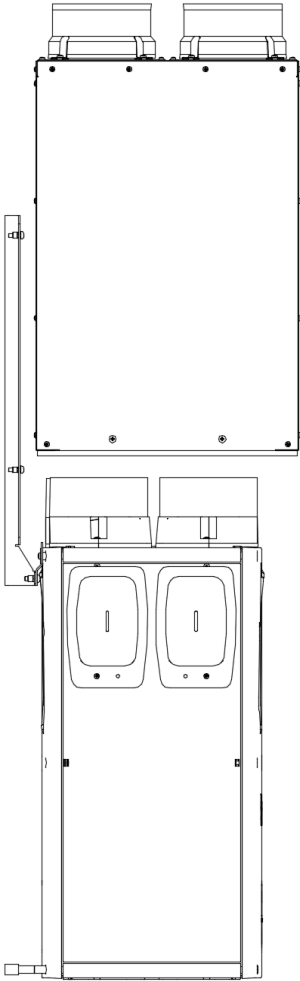
1. Before mounting the Top Box, the front cover will need removed before install.



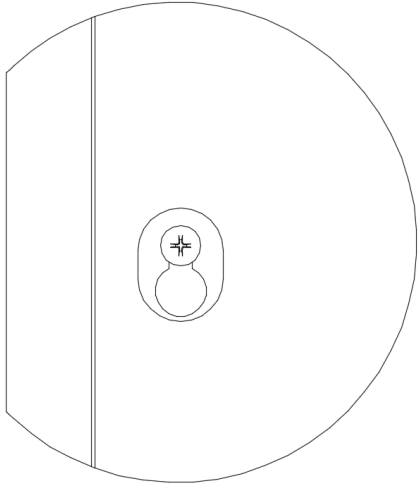
2. Then lift Top Box over the spigots and then line up the 4 screws on the mounting bracket with the key-hole slots on the rear of the Top Box (see view B). Once all fitted, tighten all screws.



3. Then lift Top Box over the spigots and then line up the 4 screws with the key-hole slots on the rear of the Top Box (see view B). Once all fitted, tighten all screws.

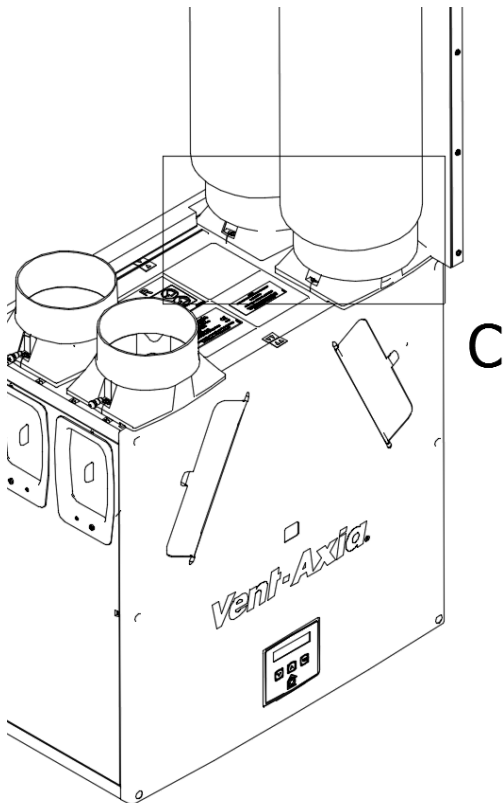
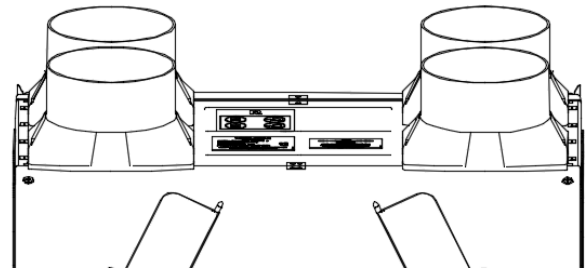
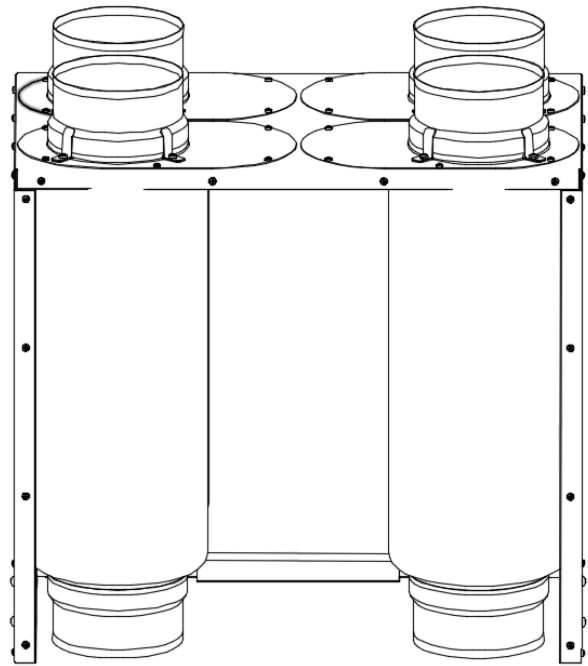


**B**



## SPIGOT ATTACHMENT ON TOP BOX

Connect all spigots to the unit, then use duct tape to seal & secure them in place. Two foam pieces supplied with Top Box are to be used on “To Atmosphere” & “From Atmosphere” spigots, wrap each foam piece around base of spigots (see view C).

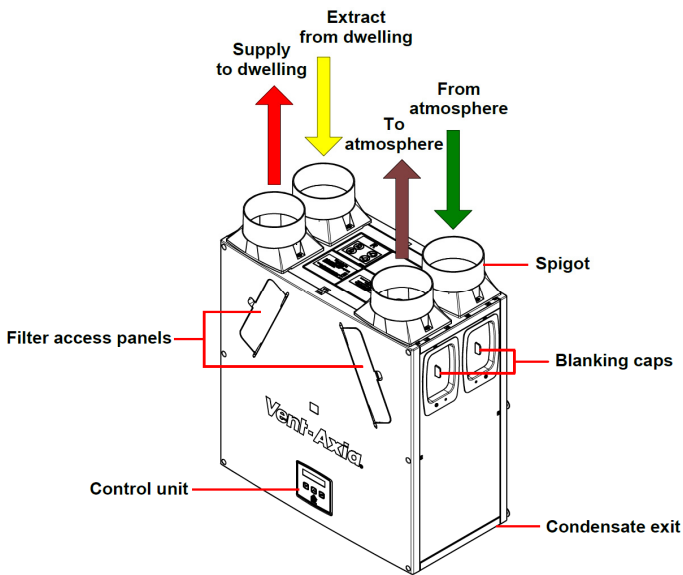


C

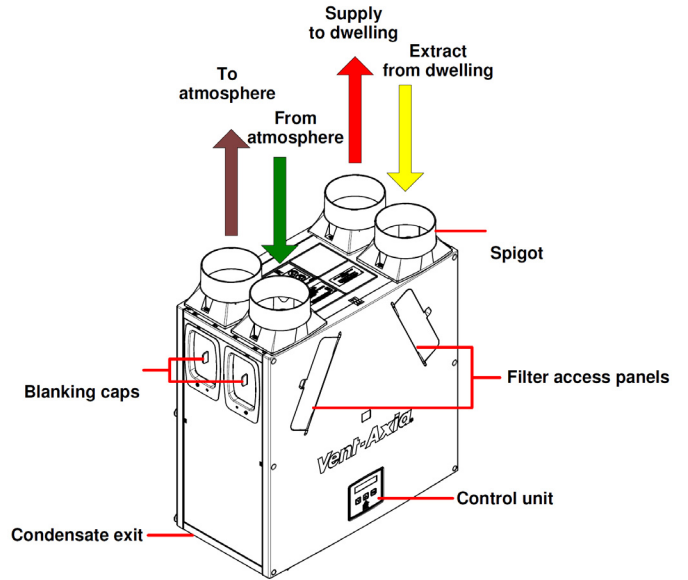


Image shows a Right Hand setup with foam insulation fitted on “To Atmosphere” & “From Atmosphere” spigots.

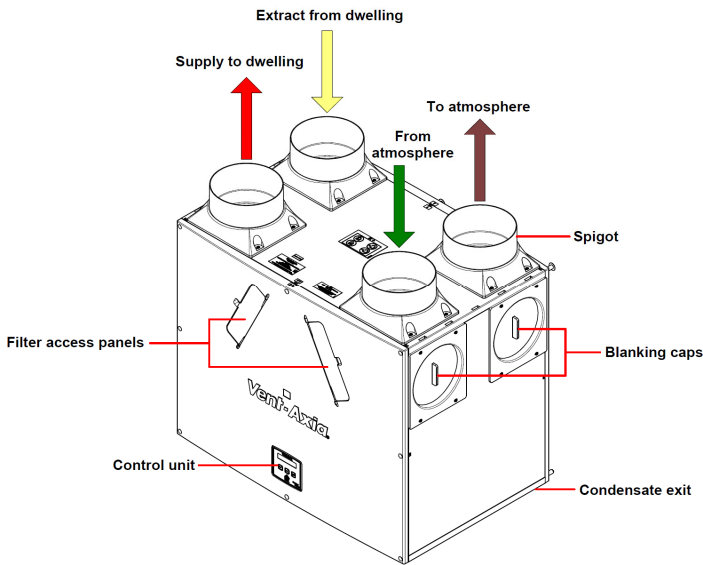
**BH & FH – Right Hand**



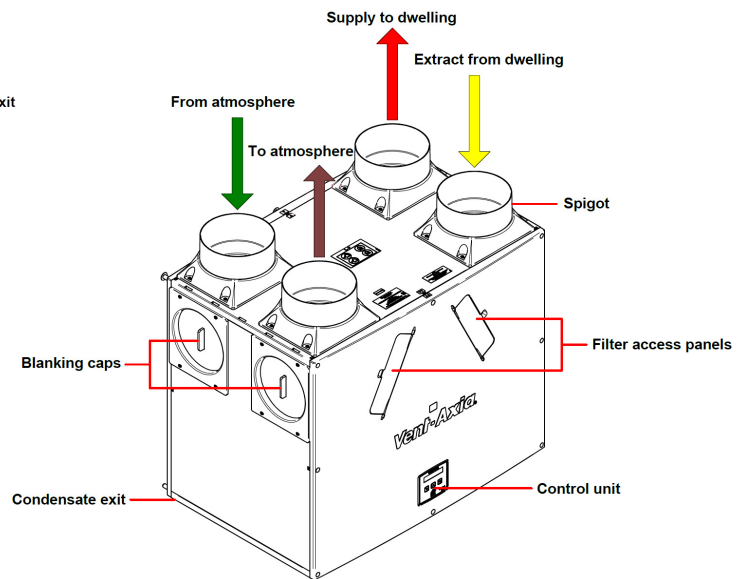
**BH & FH – Left Hand**



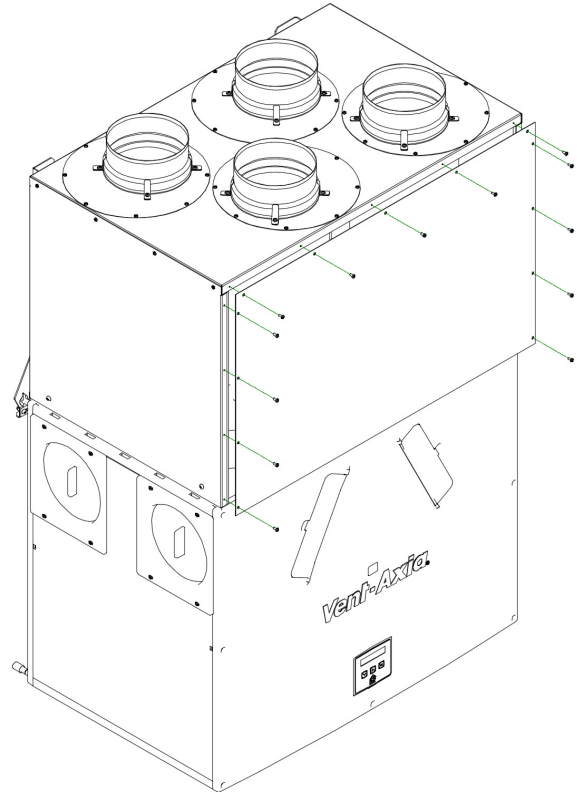
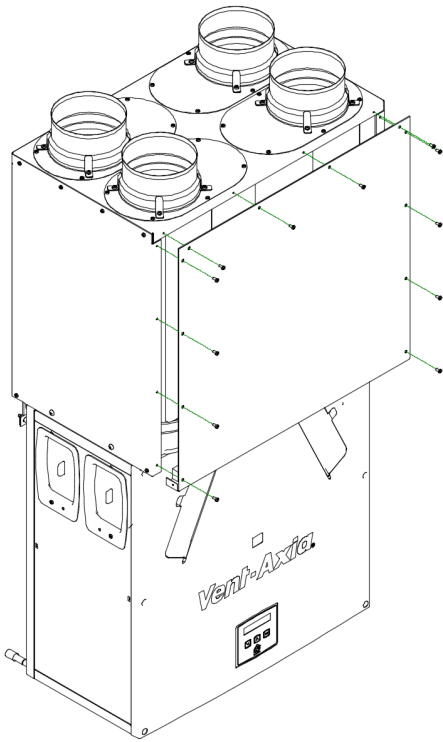
**PLUS & HIGH FLOW – Right Hand**



**PLUS & HIGH FLOW – Left Hand**



## **FITTING FRONT COVER TOP BOX**



Once unit is installed and commissioned, as per Installation & Commissioning instructions, then secure front panel back onto Enclosure.

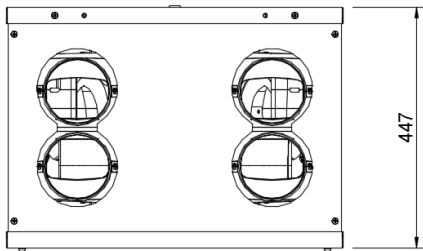
## Option B

Acoustic Enclosure + MVHR unit

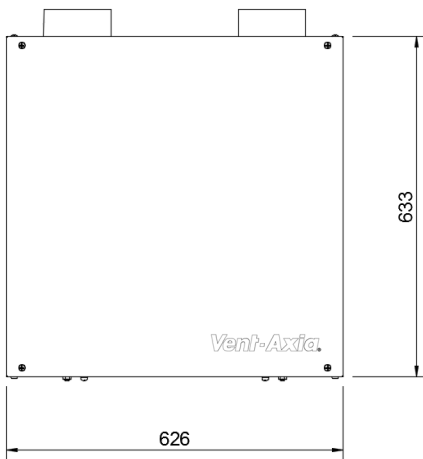
### SIZE & WEIGHT

#### BH & FH UNITS

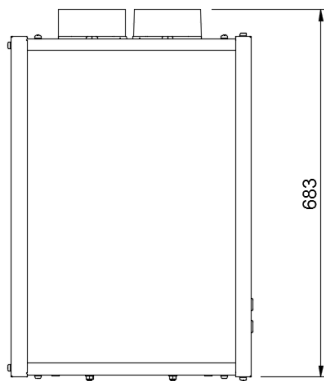
TOP



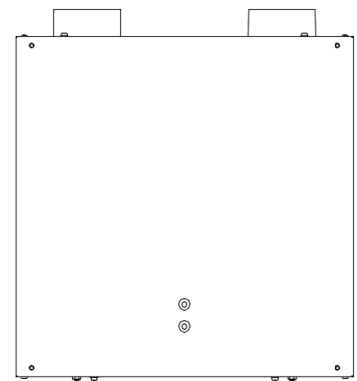
FRONT



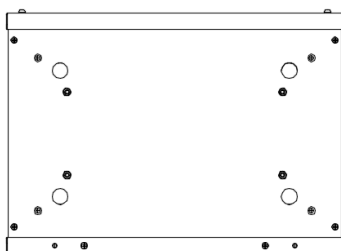
SIDE



BACK



BASE



### WEIGHT

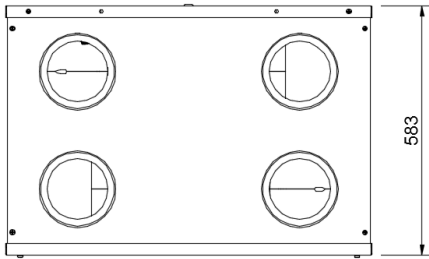
- BH Enclosure without unit 19.1kg
- FH Enclosure without unit 19.1kg
- BH Enclosure with unit 34kg
- FH Enclosure with unit 37kg
- BH Unit 15kg
- FH Unit 18kg



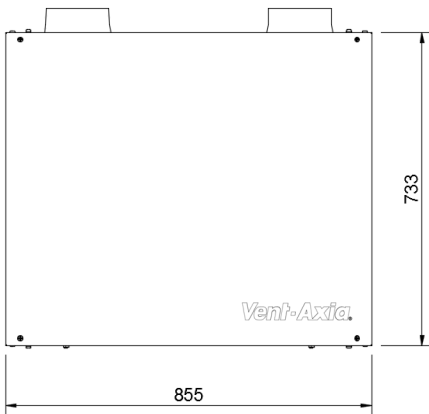


## **PLUS & HIGH FLOW UNITS**

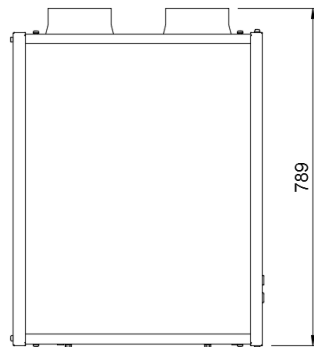
**TOP**



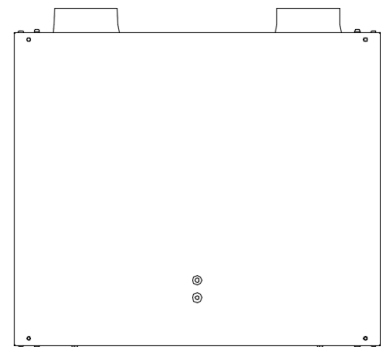
**FRONT**



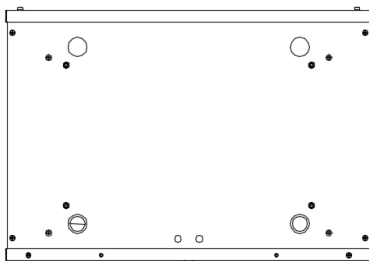
**SIDE**



**BACK**



**BASE**



## **WEIGHT**

PLUS & HIGH FLOW Enclosure without unit 33kg

PLUS Enclosure with unit 57kg

HIGH FLOW Enclosure with unit 64kg

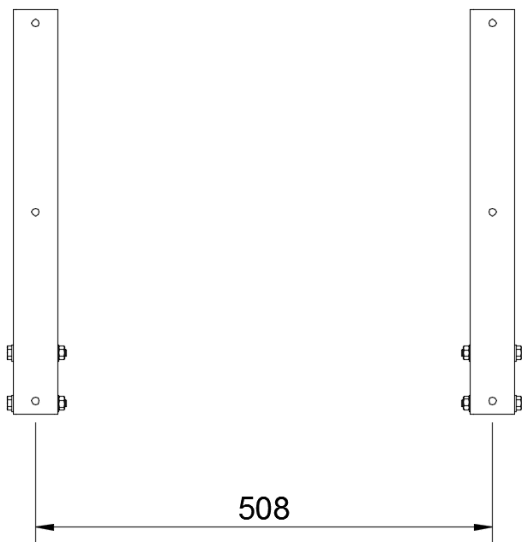
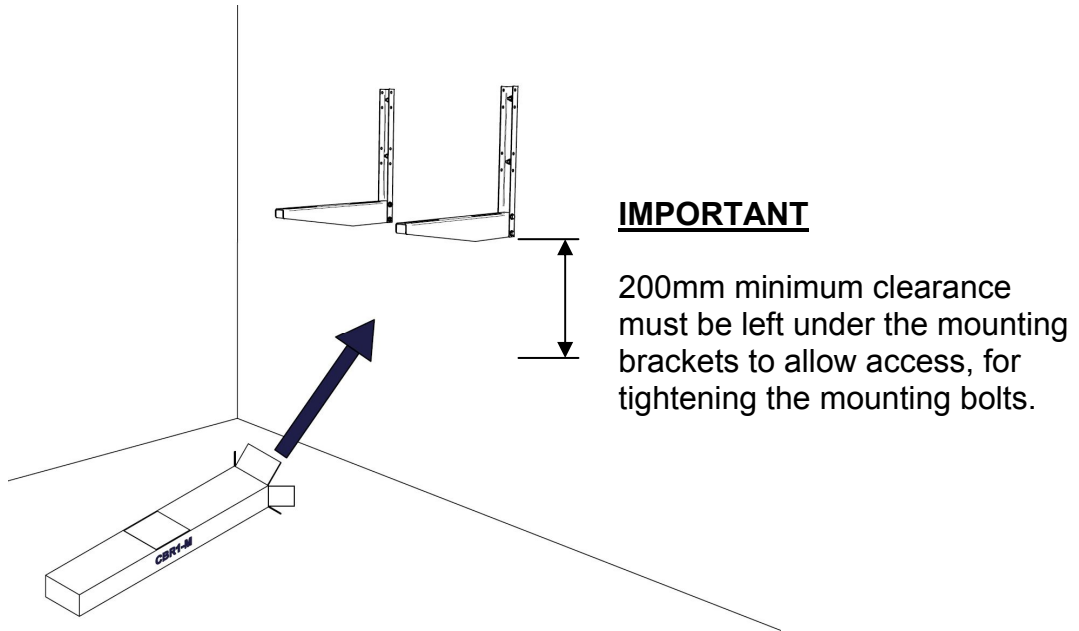
PLUS Unit 24kg

HIGH FLOW Unit 31kg

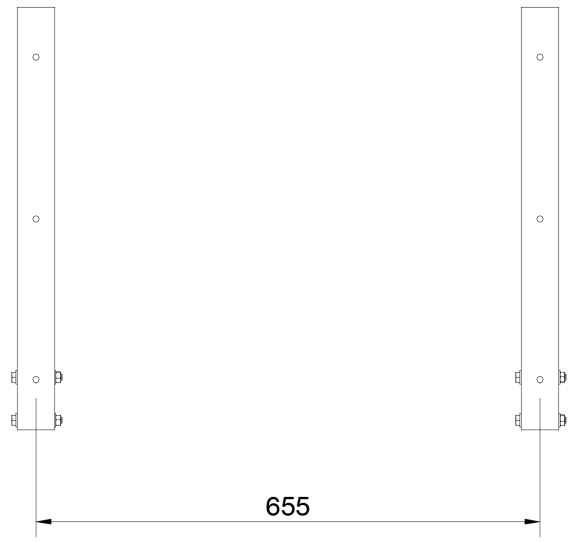


## **FIX MOUNTING BRACKETS**

Unpack mounting brackets from separate box and assemble and fix in accordance with the Instruction leaflet supplied with the brackets:-  
BH & FH to 508mm centres.  
PLUS & HIGH FLOW to 655mm centres.



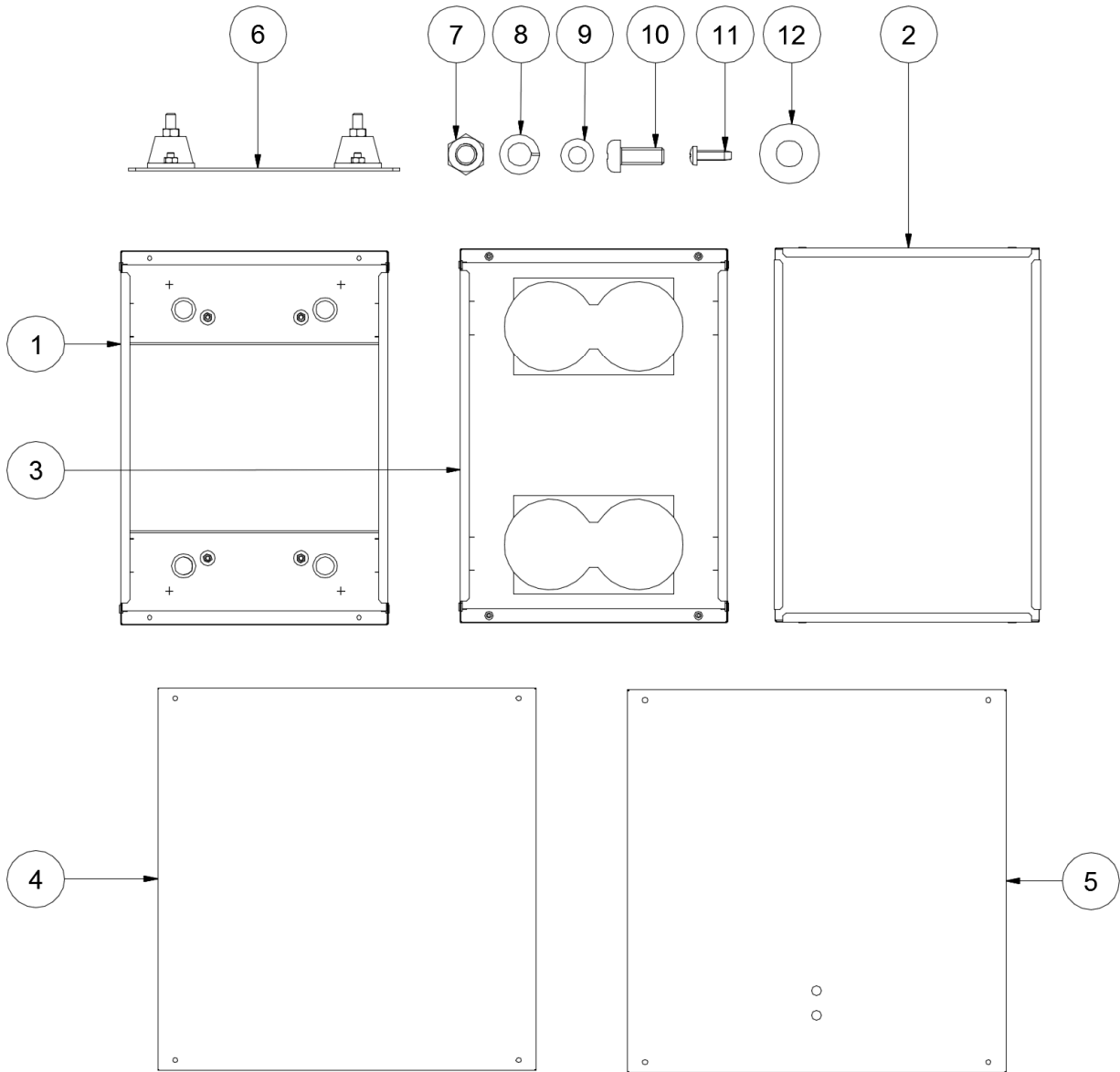
**BH & FH WALL BRACKET**



**PLUS & HIGH FLOW WALL BRACKET**

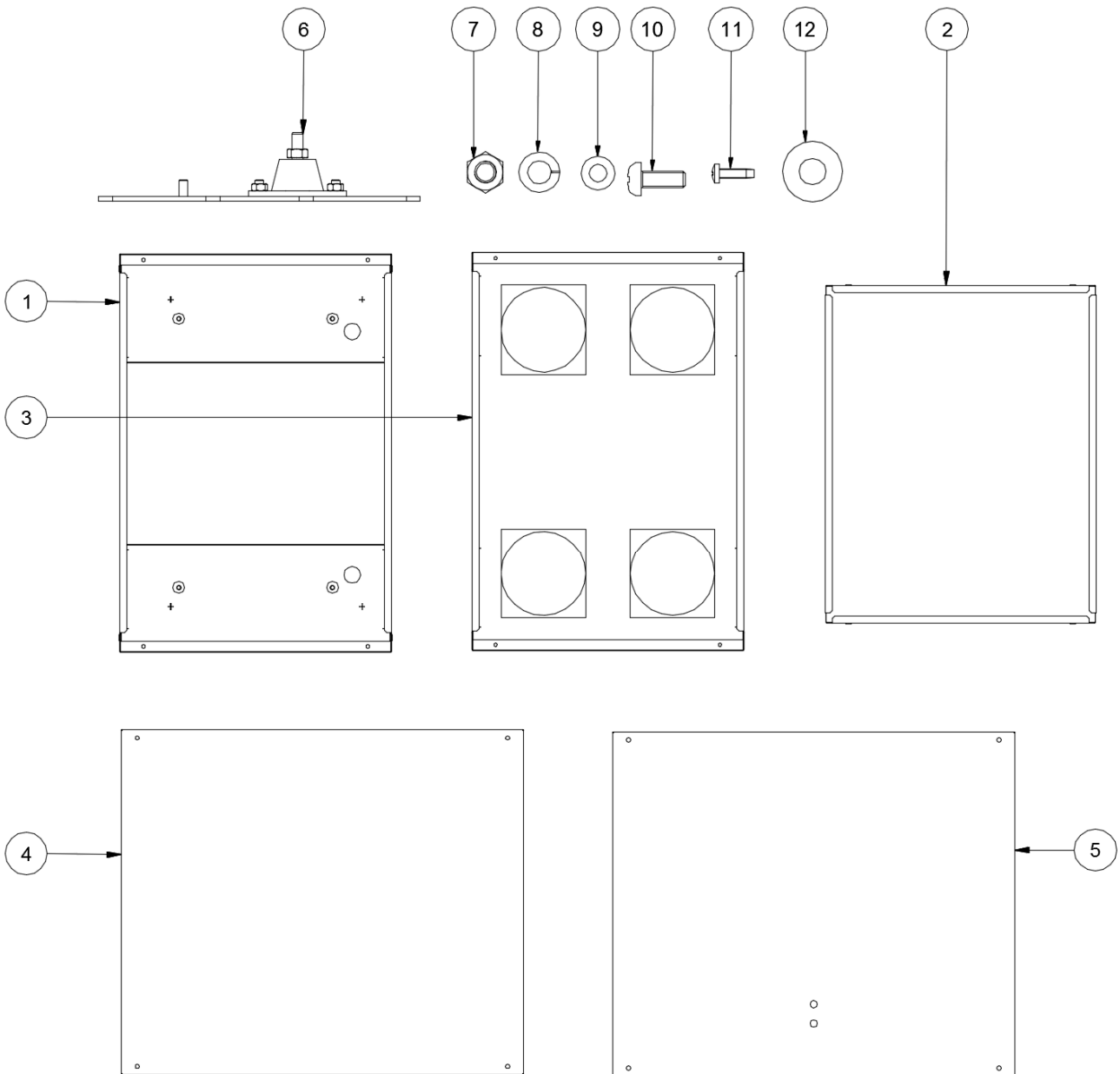
# ENCLOSURE PARTS

## BH & FH UNITS



ENCLOSURE PARTS		
ITEM	QTY	DESCRIPTION
1	1	BASE PANEL
2	2	SIDE PANEL
3	1	TOP PANEL
4	1	FRONT PANEL
5	1	REAR PANEL
6	2	AV MOUNT
7	4	NUT M8
8	4	SPRING WASHER M8
9	16	WASHER M6
10	16	SCREW M6 X 16
11	8	SCREW NO6x1/2IN POZI PAN
12	2	RUBBER GROMMET

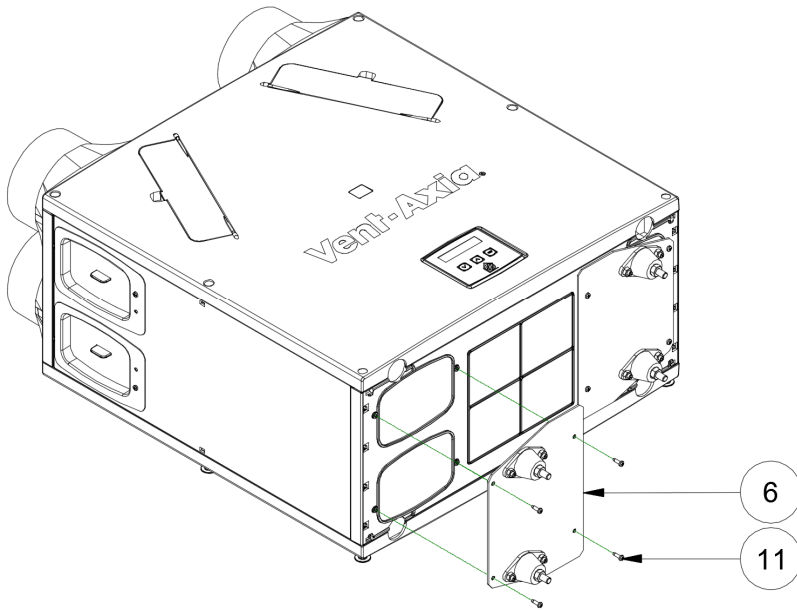
# PLUS & HIGH FLOW UNITS



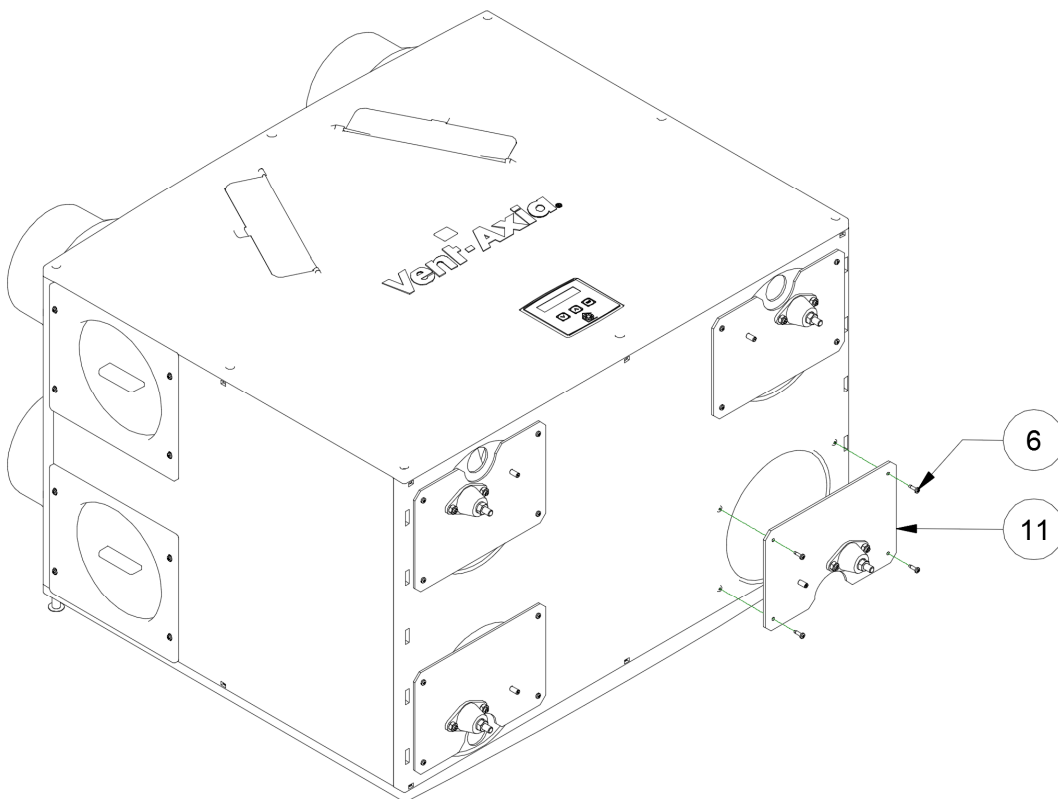
ENCLOSURE PARTS		
ITEM	QTY	DESCRIPTION
1	1	BASE PANEL
2	2	SIDE PANEL
3	1	TOP PANEL
4	1	FRONT PANEL
5	1	REAR PANEL
6	2	AV MOUNT
7	4	NUT M8
8	4	SPRING WASHER M8
9	16	WASHER M6
10	16	SCREW M6 X 16
11	16	SCREW NO6x1/2IN POZI PAN
12	2	RUBBER GROMMET

**FIT AV MOUNTS**

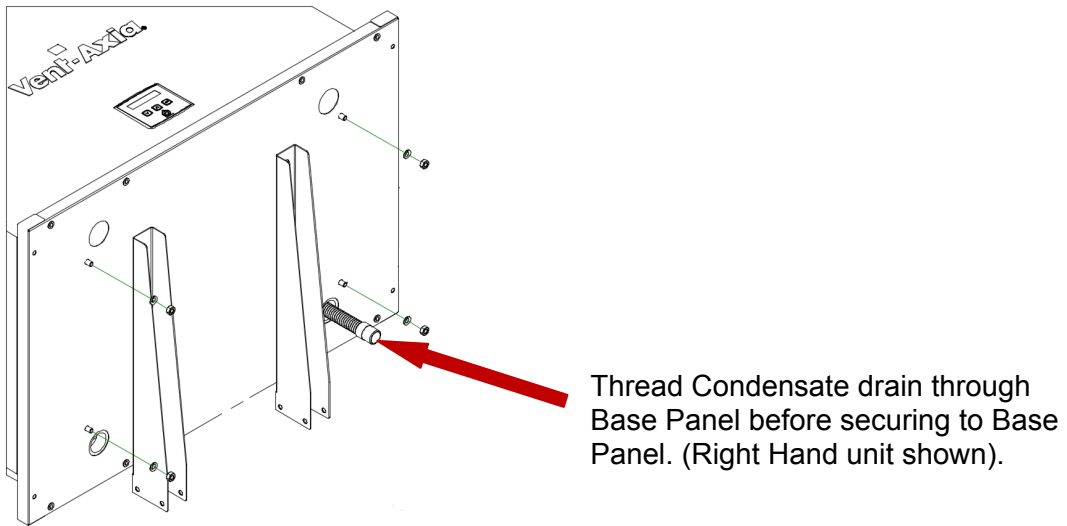
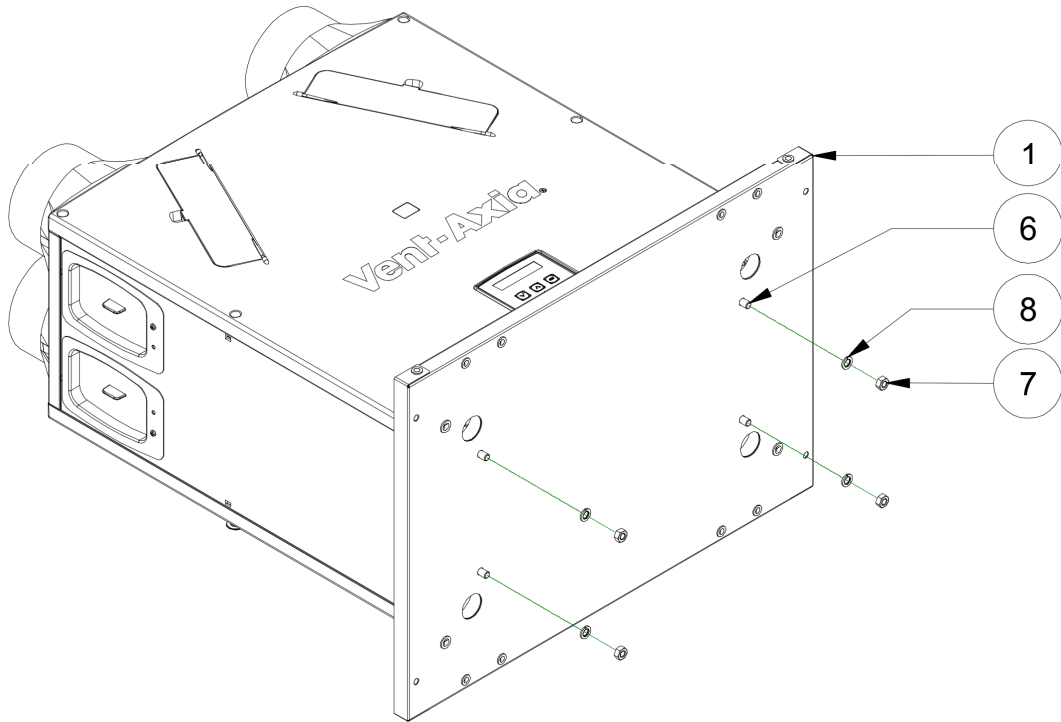
**BH & FH UNITS**



**PLUS & HIGH FLOW UNITS**



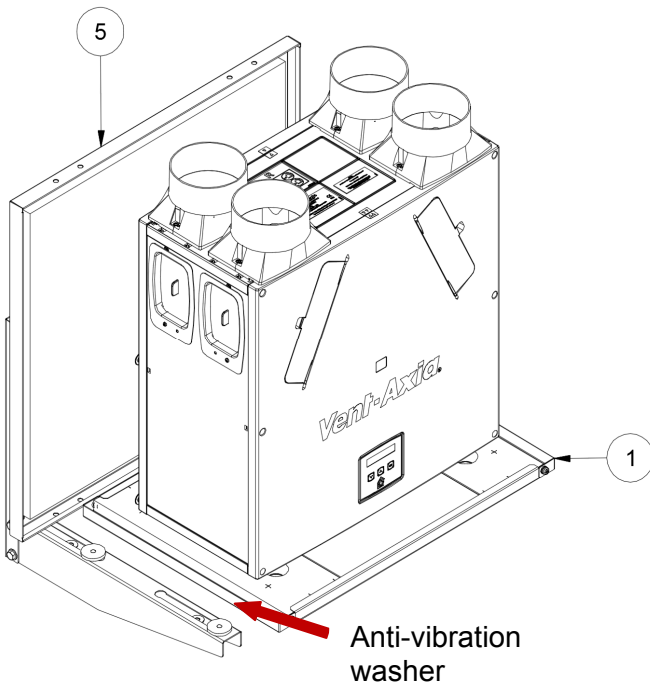
**FIT BASE PANEL**



## BACK PANEL & UNIT MOUNT

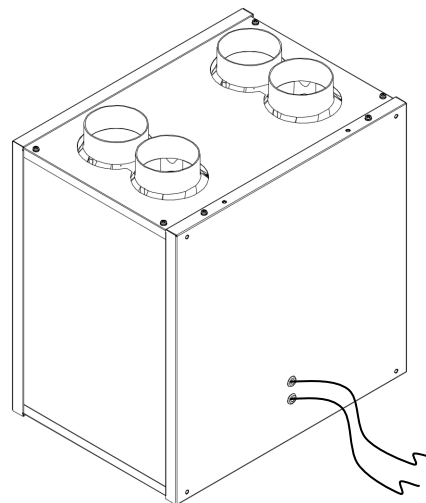
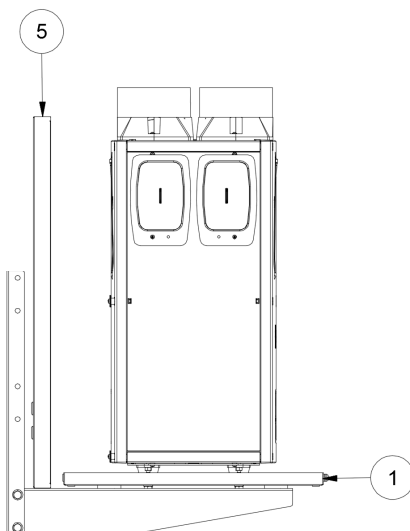
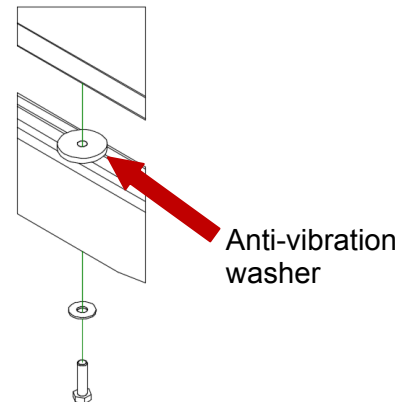
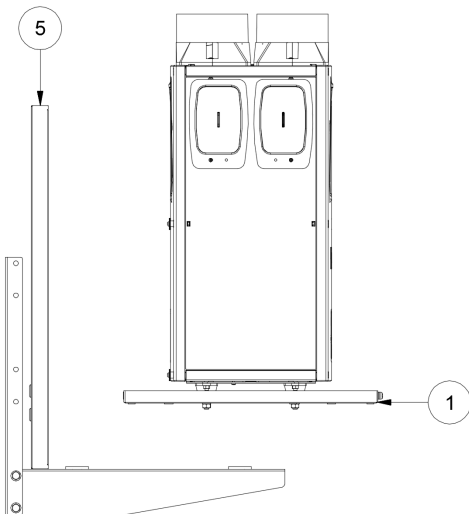


### IMPORTANT – ASSISTANCE WILL BE NEEDED AT THIS STAGE.

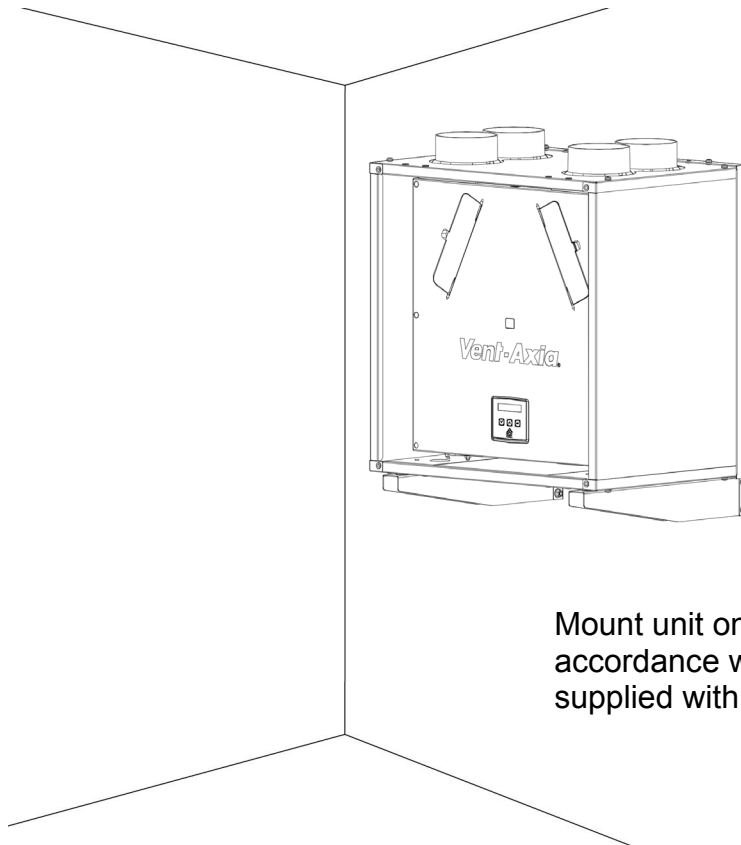


1. First fix the 4 anti-vibration washers (**ONLY**) to the mounting brackets. (Supplied in bracket kit)
2. Then fit 2-off grommets to the back panel and then place the back panel onto the mounting brackets, grommet ends to the bottom.
3. Lift the unit & base panel onto the mounting brackets.
4. Line up the holes on the base panel with the anti-vibration washers and insert the washers & bolts. Do **NOT** over tighten, leave loose. (Supplied in bracket kit) **See view "A"**
5. Thread mains and control cables through grommets on back panel before panels are assembled.

**A**

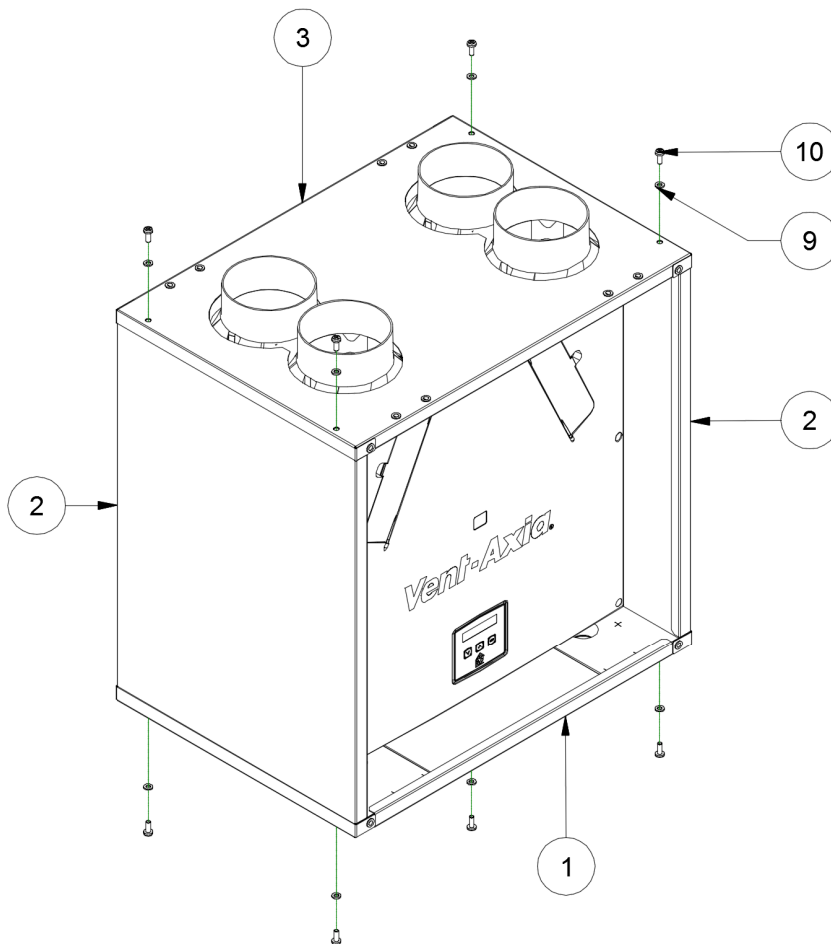


Thread mains and control cables through the grommets on rear.



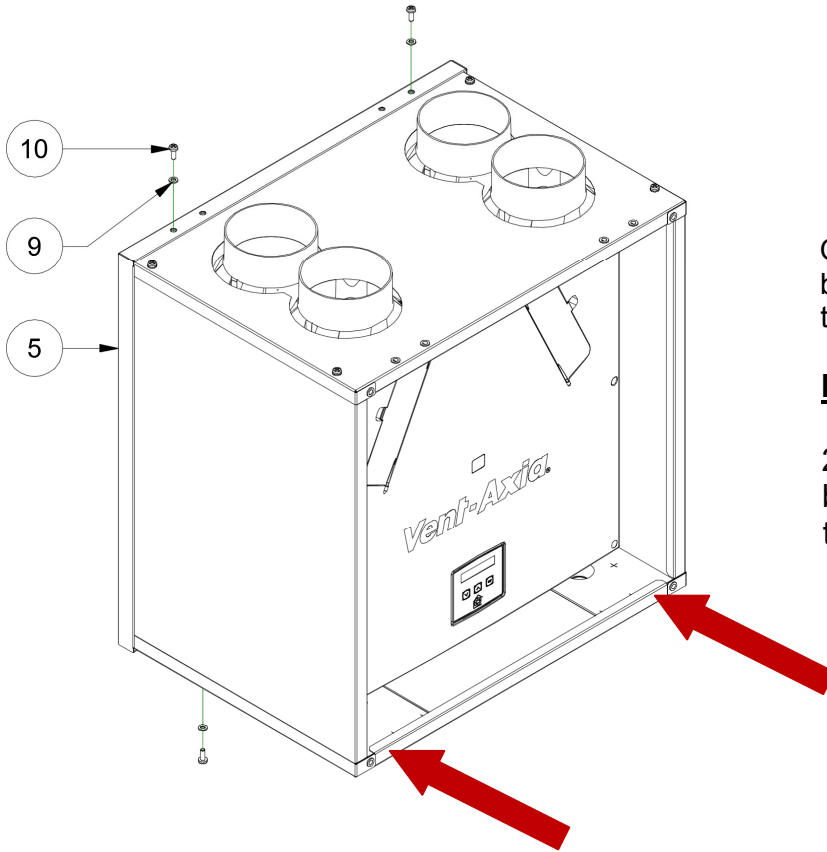
Mount unit on brackets in accordance with instruction leaflet supplied with brackets

**FIT TOP AND SIDE PANELS**





## FIT BACK PANEL

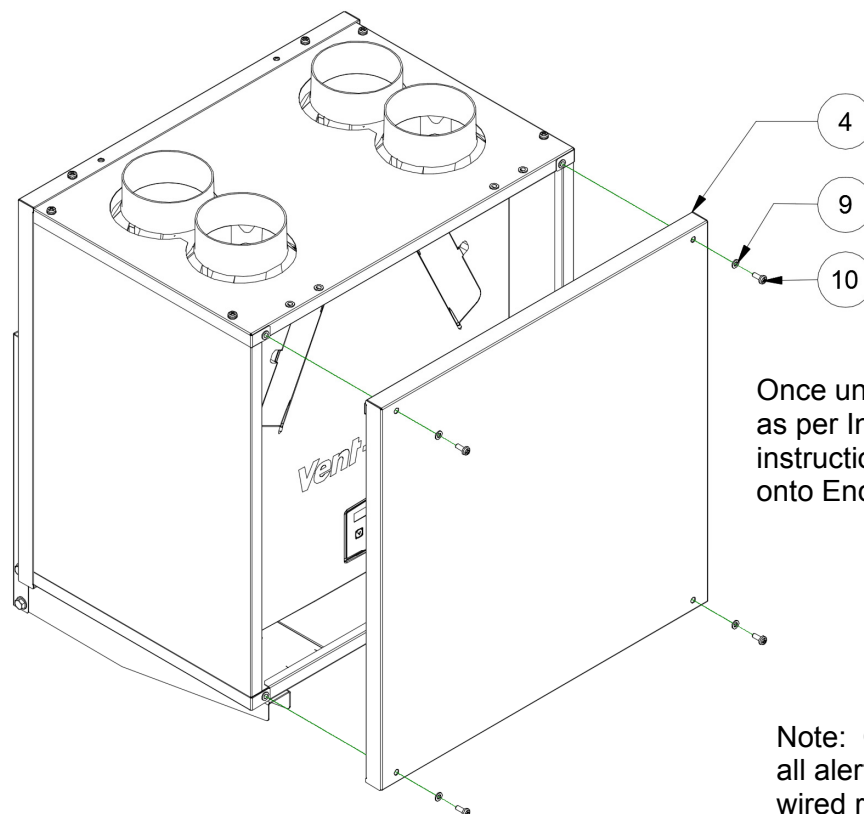


Once back panel is fitted, push unit back towards the brackets and tighten the 4 bolts on the mounting brackets.

### IMPORTANT

200mm minimum clearance must be left under the mounting brackets to allow access, for tightening the mounting bolts.

## FIT FRONT PANEL



Once unit is installed and commissioned, as per Installation & Commissioning instructions, then secure front panel back onto Enclosure.

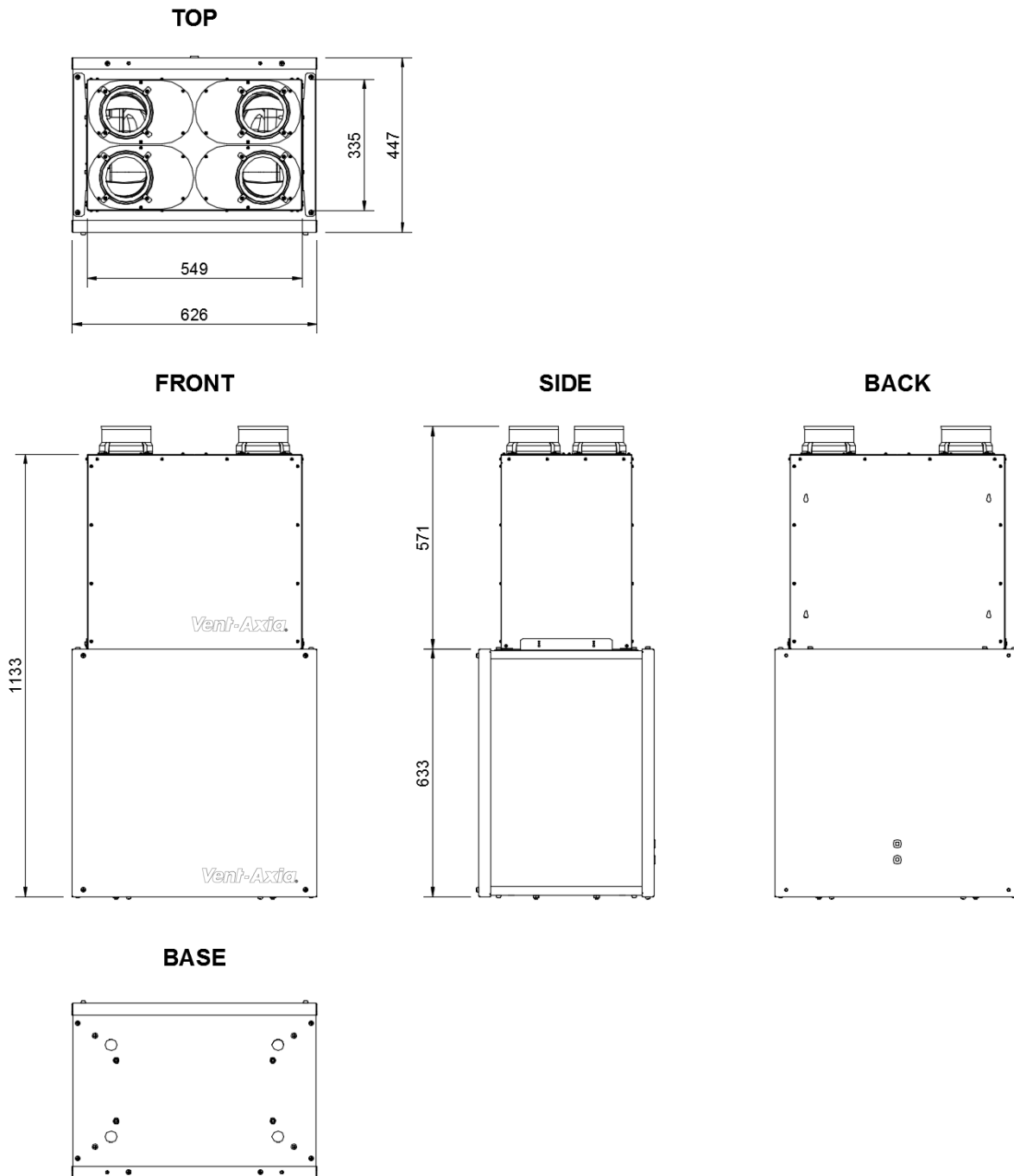
Note: Once front cover is fitted, all alerts and warnings are on the wired remote control display.

## Option C

Acoustic Enclosure & Top Box Solution + MVHR unit

### SIZE & WEIGHT

#### **BH & FH UNITS**



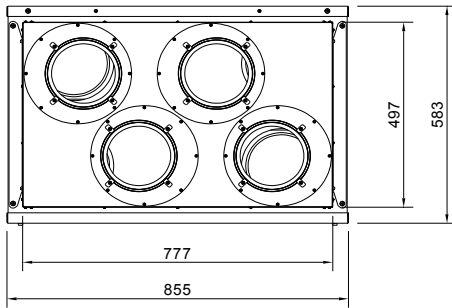
### WEIGHT

BH & FH Top Box without unit 12 kg  
BH & FH Enclosure without unit 33kg  
BH Enclosure & Top Box with unit 45.5kg  
FH Enclosure & Top Box with unit 47kg  
BH Unit 15kg  
FH Unit 18kg

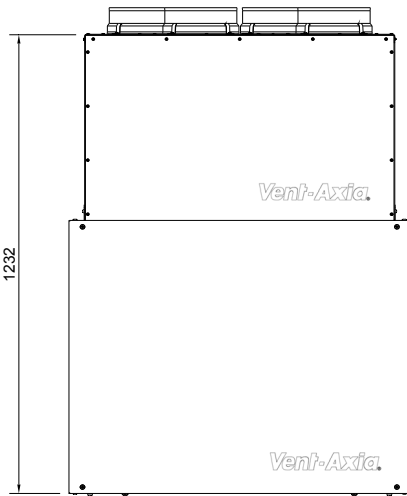


## PLUS & HIGH FLOW UNITS

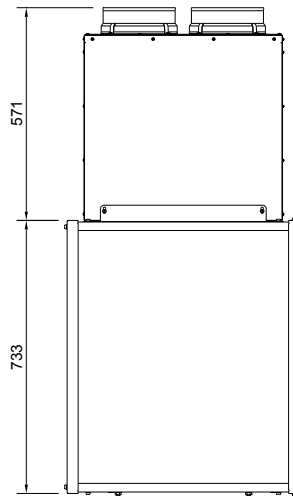
TOP



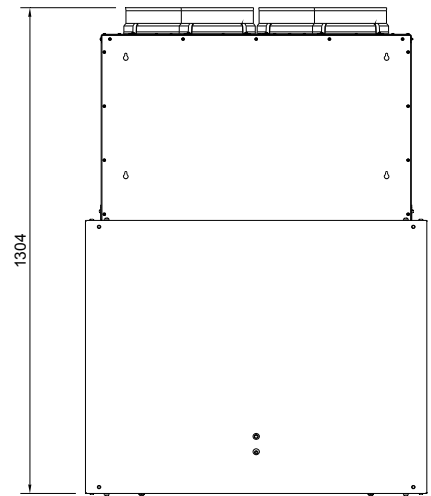
FRONT



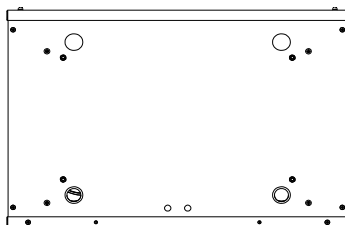
SIDE



BACK



BASE



## WEIGHT

- PLUS & HIGH FLOW Top Box without unit 17kg
- PLUS & HIGH FLOW Enclosure without unit 33kg
- PLUS Enclosure & Top Box with unit 75kg
- HIGH FLOW Enclosure & Top Box with unit 81kg
- PLUS Unit 24kg
- HIGH FLOW Unit 31kg



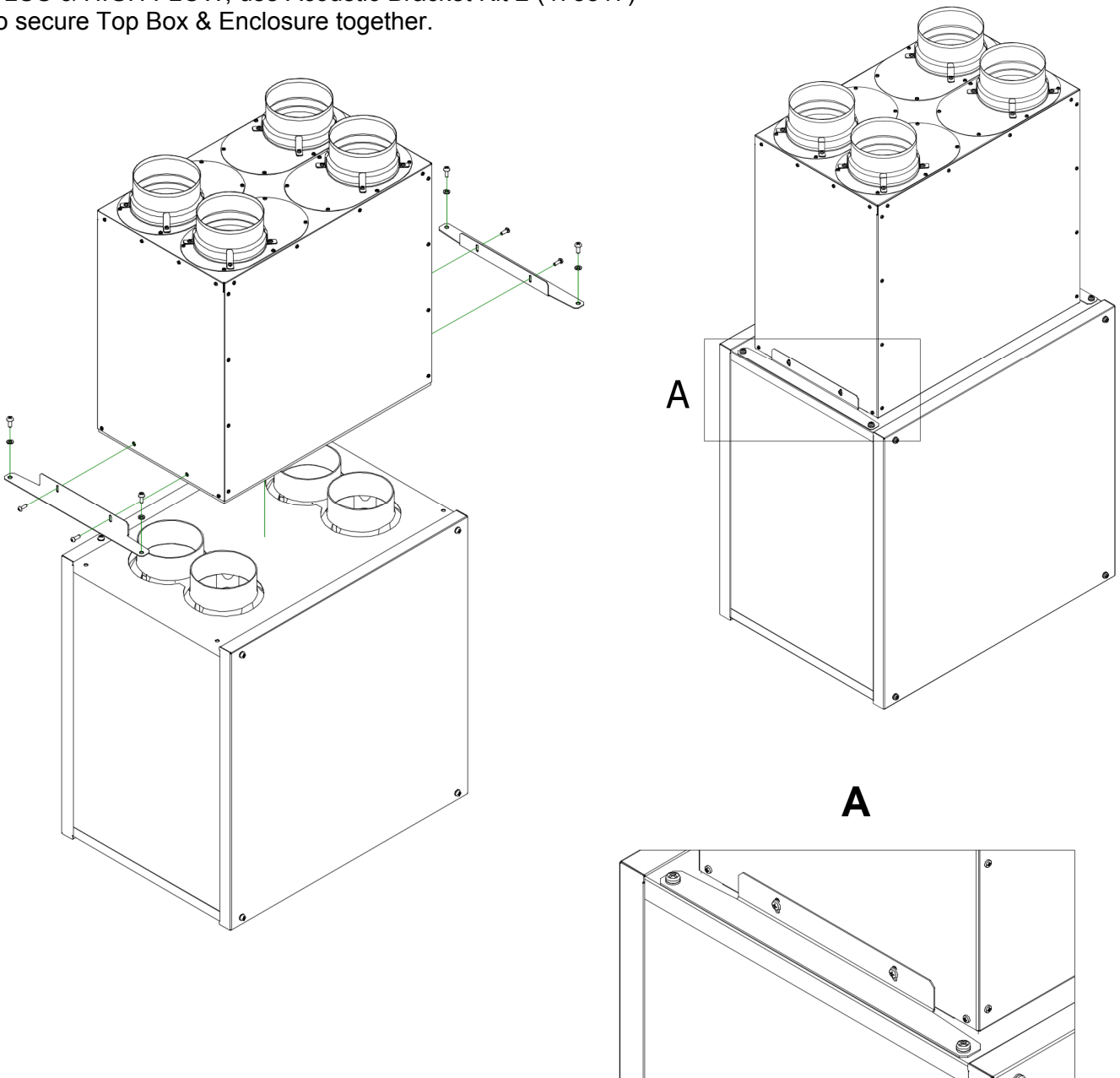
## **FULL SOLUTION BUILD**

1. First start with mounting instructions for the Enclosures installation, see - “**Option B**” Enclosure only – Pages 15 – 25
2. Then remove the front panel of the Top Box, before placing it on top of the completed mounted Enclosure.
3. Fix attenuators onto the spigots; follow the ducting detail information in section - “**Option A**” Top Box only – Pages 13 – 14.
4. Then use Acoustic Bracket Kit 2 to secure the Top Box to the Enclosure. Use the existing screws on the Top Box & Enclosure. (See detail A)
5. Once unit is installed and commissioned, secure the front panel cover back onto Top Box.

## **FIX MOUNTING BRACKETS**

BH & FH, use Acoustic Bracket Kit 2 (478814) to secure Top Box & Enclosure together.

PLUS & HIGH FLOW, use Acoustic Bracket Kit 2 (478817) to secure Top Box & Enclosure together.









## The **Vent-Axia** Guarantee

Applicable only to products installed and used in the United Kingdom. For details of guarantee outside the United Kingdom contact your local supplier.

Vent-Axia guarantees its products for two years from date of purchase against faulty material or workmanship. In the event of any part being found to be defective, the product will be repaired, or at the Company's option replaced, without charge, provided that the product:-

- Has been installed and used in accordance with the instructions given with each unit.
- Has not been connected to an unsuitable electricity supply. (The correct electricity supply voltage is shown on the product rating label attached to the unit).
- Has not been subjected to misuse, neglect or damage.
- Has not been modified or repaired by any person not authorised by the company.

### IF CLAIMING UNDER TERMS OF GUARANTEE

Please return the complete product, carriage paid to your original supplier or nearest Vent-Axia Centre, by post or personal visit. Please ensure that it is adequately packed and accompanied by a letter clearly marked "Guarantee Claim" stating the nature of the fault and providing evidence of date and source of purchase.

The guarantee is offered to you as an extra benefit, and does not effect your legal rights

# **Vent-Axia**<sup>®</sup>

Head Office: Fleming Way, Crawley, West Sussex, RH10 9YX.

**UK NATIONAL CALL CENTRE**, Newton Road, Crawley, West Sussex, RH10 9JA

SALES ENQUIRIES: Tel: 0844 8560591 Fax: 01293 534898

TECHNICAL SUPPORT: Tel: 0344 8560595 Fax: 01293 532814

For details of the warranty and returns procedure please refer to [www.vent-axia.com](http://www.vent-axia.com) or write to Vent-Axia Ltd, Fleming Way, Crawley, RH10 9YX