



Lo-Carbon Astra

Vent-Axia[®]
Lo-Carbon[™]

Vent-Axia Lo-Carbon Astra

Wholehouse Heat Recovery Ventilation System

Lo-Carbon Energy saving Ventilation solutions



Lo-Carbon Astra

Model

Lo-Carbon Astra
Stock Ref. No.

442919

Features and Benefits

- Manufactured in the UK
- Building Regulations compliant
- SAP Appendix Q Eligible
- Normal, Boost and Purge speeds
- Energy savings trust best practice compliant
- Up to 91% heat recovery whilst controlling condensation
- Left or right hand installation
- Light weight for easy installation
- 3 position switch
- 2 x Volt Free inputs
- Easy access washable EU3
- Compact size
- Ideal for horizontal fitting applications



Specification

The Lo-Carbon Astra specification includes a heat recovery system with **up to 91% energy efficiency** with an easily accessible heat recovery cube protected by two removable EU3 filters. Two Lo-Carbon Energy Saving fans ensure long life (typically over double the life of AC motors) and lowest possible energy use. Fully insulated construction with built in condensation drain. Specifically designed for new build homes with a high level of insulation.

The Lo-Carbon Astra **meets the latest requirements of the Building Regulations Document F 2010** for wholehouse system ventilation: System 4. Continuous mechanical supply and extract with heat recovery. The Lo-Carbon Astra has 3 fully adjustable speeds including purge setting. In addition, two volt free contacts in the controller offer additional adjustable speed settings.

Motors can be individually adjusted to give any speed setting within the performance range.

Installation - Vertical or Horizontal

The Lo-Carbon Astra can be mounted vertically or horizontally in a roof space, and is suitable for wall mounting or within a kitchen cupboard. When mounted in an unheated area ducting should be insulated.

Minimum internal depth of kitchen cupboard: 290mm.

Left or right hand installation. The unit is supplied with duct spigots to atmosphere on the right hand side. These can be reversed on site to avoid complicated duct configurations.

Condensate drain can be taken out through bottom the unit.

SAP Appendix Q

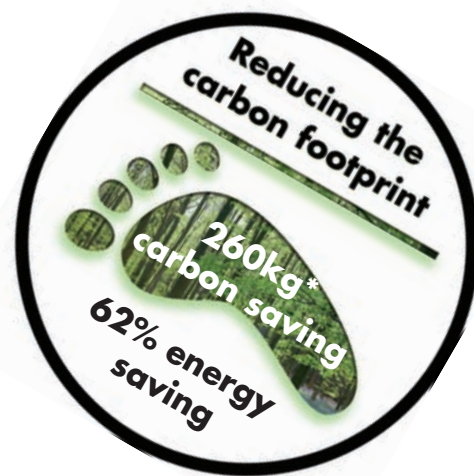
In order to make the right choice, developers and contractors should refer to Building Regulations Part L1a SAP 2005 and Appendix Q.

SAP Appendix Q was launched in June 2009 to reward innovative ventilation manufacturers by testing and listing energy efficient products that assist in helping developers meet their Target Emission Rates (TER).

SAP is the underpinning methodology behind the Energy Performance Certificates and is used to demonstrate compliance with Building Regulations for Dwellings - Part L (England and Wales), Section 6 (Scotland) and Part F (Northern Ireland). Appendix Q specifically relates to wholehouse ventilation systems and lists a number of Vent-Axia Mechanical Ventilation solutions which offer an improved SAP rating over and above the default for these product types.

Your Carbon Footprint

The Carbon Footprint is a measure of the amount of carbon dioxide (CO₂) emitted through the burning of fossil fuels. From a residential and commercial building perspective, it is the amount of carbon generated when you produce a kilowatt of electricity. Reducing a building's carbon footprint will ultimately reduce electricity bills and save money for every individual household or business. It will also help meet the UK target for the reduction of emissions, as well as allowing you to help the environment.



Controllers and Sensors

Lo-Carbon Astra can be used with a wide range of Vent-Axia controllers and sensors. Ranging from integral humidistats, through wireless controllers to wired remote sensors.



Ambient Response Humidity Sensor

- ✓ Pullcord override and neon indicator
- ✓ Change over relay switch
- ✓ Operating range: 30% - 90%RH
- ✓ Ambient operating temp. 5°C to 40°C
- ✓ 220-240V AC
- ✓ Will fit single gang box for surface mounting

Stock Ref. No. **563550A**



Ecotronic Humidity Sensor

- ✓ Set Point adjustable
- ✓ Maximum switching load 1 amp inductive
- ✓ Pullcord override indicator
- ✓ Ambient operating temp. 0°C to 40°C
- ✓ Supply voltage 220-240V

Stock Ref. No. **563532A**



Visonex PIR Sensor

- ✓ Fits any UK single gang mounting box
- ✓ Adjustable timer overrun (5-25 mins)
- ✓ Range of detection up to 10 metres
- ✓ Designed to meet IP43
- ✓ Ambient operating temp. range 0°C to 50°C

Stock Ref. No. **459623A**

Ventwise

- ✓ Automatically boosts fan when temperature of the supply pipe to a shower or bath increases
- ✓ Automatically boosts fan when electric hob is switched on
- ✓ Can be used in conjunction with manual override input
- ✓ Adjustable overrun timer
- ✓ Two sensor options available.

Stock Ref. No. **435960**

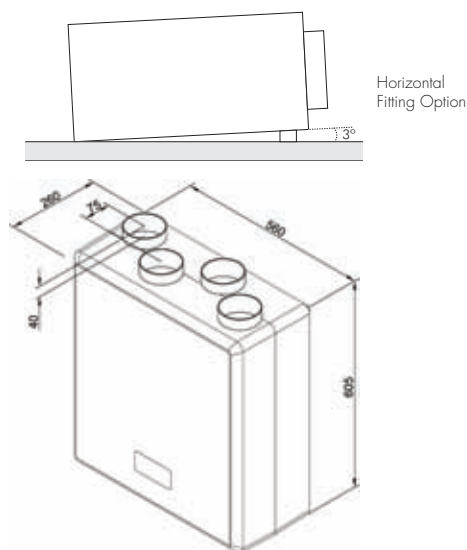


For sensor options please contact Vent-Axia Sales.

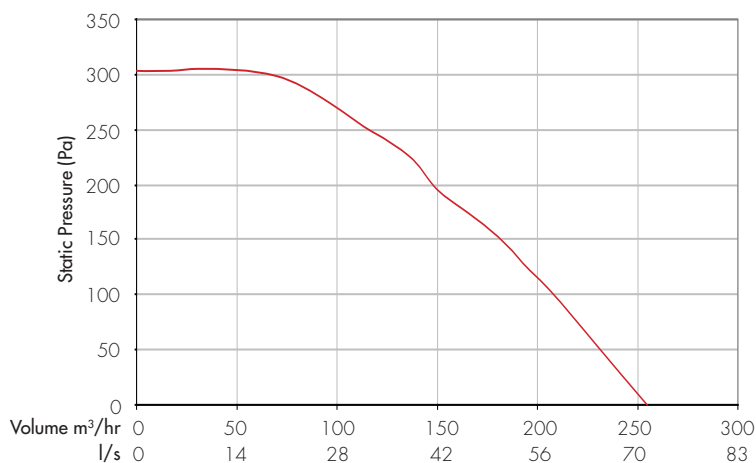
* Savings are based on an annual usage of 24 hours per day

Dimensions

Weight : 14kg



Performance



SAP Appendix Q Performance

	Specific Fan Power (W/l/s)	Thermal Efficiency
K+1	0.73	91%
K+2	0.72	90%
K+3	0.79	89%
K+4	0.93	88%



By Appointment to H.M. The Queen
Suppliers of Unit Ventilation Equipment
Vent-Axia, Crawley, West Sussex

Vent-Axia®

VENT-AXIA CONTACT NUMBERS

Free technical, installation and sales advice is available

Sales Centre:

Domestic & Commercial

Sales Tel: 0844 856 0590
Sales Fax: 01293 565169
Tech Support Tel: 0844 856 0594
Tech Support Fax: 01293 539209

Industrial

Sales Tel: 0844 856 0591
Sales Fax: 01293 534898
Tech Support Tel: 0844 856 0595
Tech Support Fax: 01293 455197
Web: www.vent-axia.com
Email: info@vent-axia.com

Supply & Service

All sales made by Vent-Axia Limited are made only upon the terms of the Company's Conditions of Sale, a copy of which may be obtained on request. As part of the policy of continuous product improvement Vent-Axia reserves the right to alter specifications without notice.



A British company supporting British manufacturing
Vent-Axia Ltd t: 0844 856 0590 Right products, right price, right here!

402213/0510