

Electrical Wiring Regulations (BS 7671:2001 The IEE Wiring Regulations)

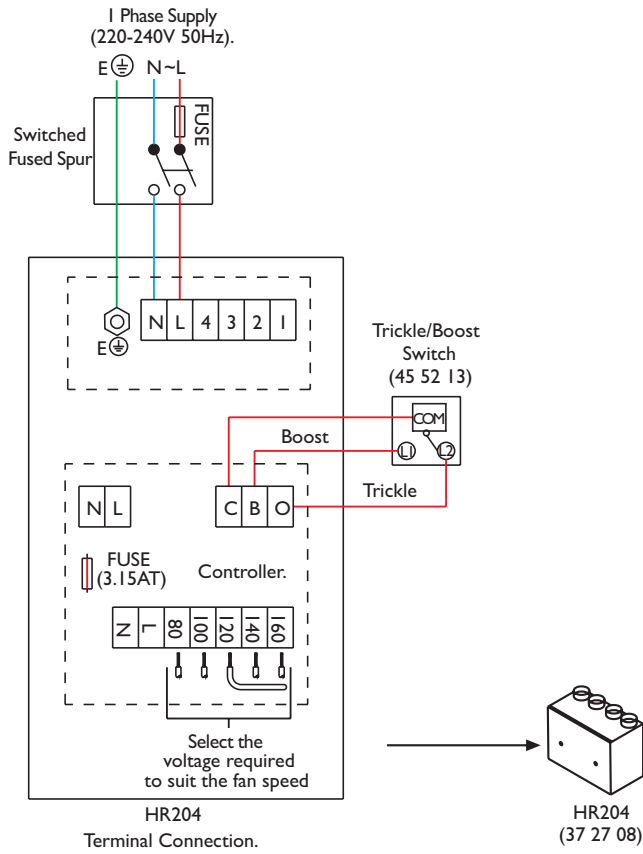
In accordance with the above new wiring regulations as from 31 March 2006 all electrical cable identification will change, please note below for future consideration.

Single phase:

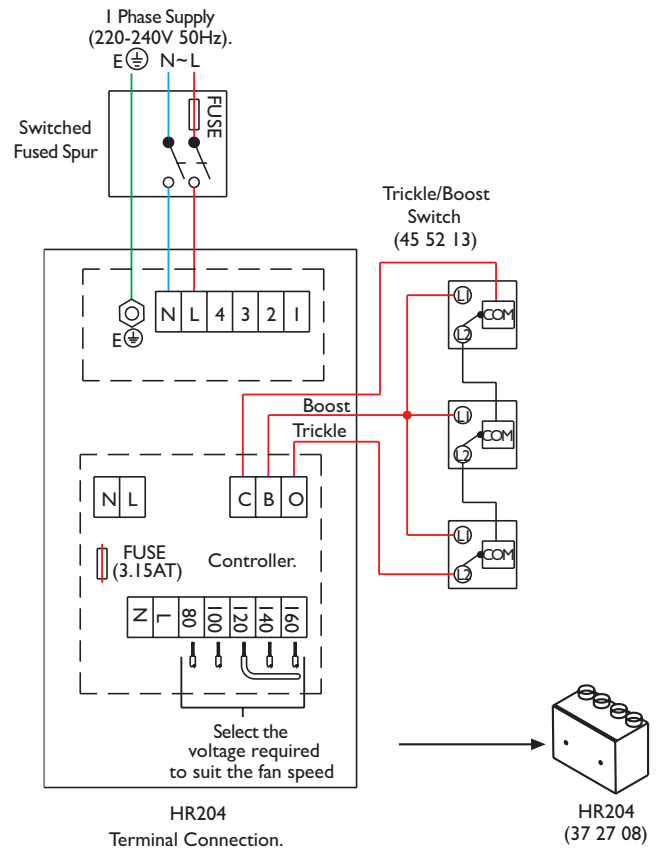
Fixed installation colours of red and black are to be replaced by brown and blue, respectively. The protective conductor is still identified by green-and-yellow.

HR204

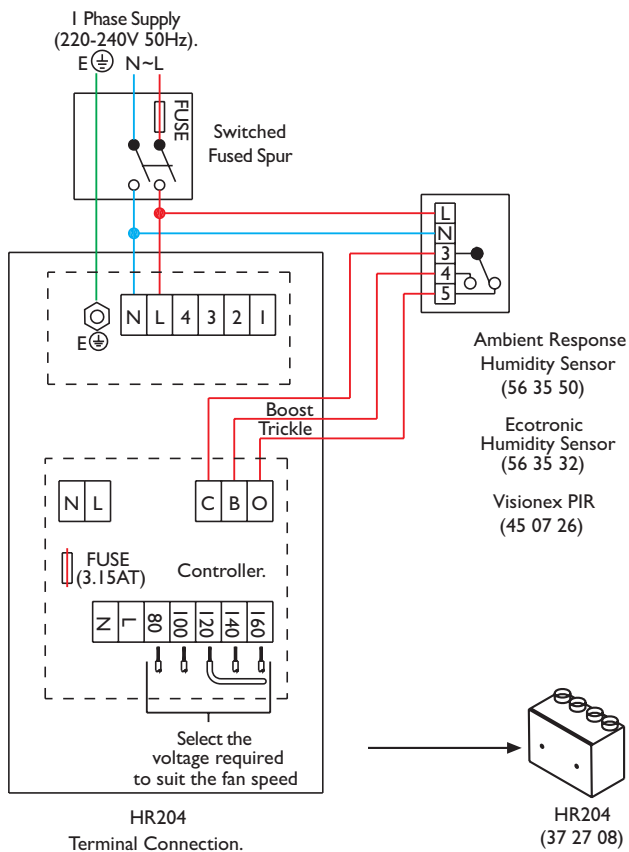
HR204 Units controlled by a single Trickle/Boost Switch.



HR204 Units controlled by multiple Trickle/Boost Switches.



HR204 Units controlled via a single external sensor for Trickle/Boost operation.



HR204 Units controlled via a multiple external sensors, for Trickle/Boost operation.

